

# RLX138

Ø138mm Recessed LED Uplight



- Ideal for outdoor use, in the ground (IP67)
- High output, low profile
- Wide range of optical outputs available
- Robust, corrosion-resistant construction
- Cool to touch
- Low voltage, high efficiency
- Long life - 30,000hrs

## Description

High brightness walkover LED uplight, fitted with high power LEDs. Constructed from high performance 316 stainless steel bezel and anodised aluminium body with choice of clear (narrow illumination) or diffused (wide angle) glass. Terminated with a 1 metre flying lead via IP67 cable gland. The fitting is rear encapsulated, maintaining mechanical integrity and offering ingress protection.

Must be connected to a constant current LED Driver.

## Characteristics

### Optical

**Number of LEDs** = 9 high power LEDs  
**Illuminated Area** = Ø87.0mm  
**Viewing Angle** = 6°, 15°, 25°  
**Luminaire Classification** = Class III  
 (In accordance with BSEN 60598-1:2000)

### Electrical

**Typical Current** = 350mA Single Colour  
 = 500mA Colour Change  
**Power Consumption** = 10W max Single Colour  
 = 14W max Colour Change

### Mechanical

**Bezel O.D.** = Ø138.0mm  
**Thickness** = 3.0mm  
**Body O.D.** = Ø109.0mm  
**Rear Depth** = 57.0mm  
**Lens** = 12.0mm thick glass  
**Lens Diameter** = Ø87.0mm  
**Mounting Hole** = Ø110.0mm  
**Termination** = 1 metre cable (default)  
**IP Rating** = IP67  
**Product Weight** = 1.1kg

## Selection Guide

RLX138-	X-	X-	X-	X-	X-	X	
Product Series	Housing	LED Colour		Output Angle	Lens Type	Current	
RLX = Recessed Luminaire	S = Stainless Steel Bezel, Anodised Aluminium Body	R = Red A = Amber G = Green	T = Turquoise B = Blue GC = Group Colour (RGB colour change)	CW = Cool White MW = Mid White WW = Warm White	NA = Narrow 6° MA = Medium 15° WA = Wide 25°	C = Clear D = Diffused	350 = 350mA Single Colour 500 = 500mA Colour Change

Example **RLX138-S-WW-MA-C-350-10M** (RLX138, St.Steel Housing, Warm White LEDs, 15°Output Angle, Clear Glass Lens, 350mA, 10m cable)

# RLX138

Ø138mm Recessed  
LED Uplight

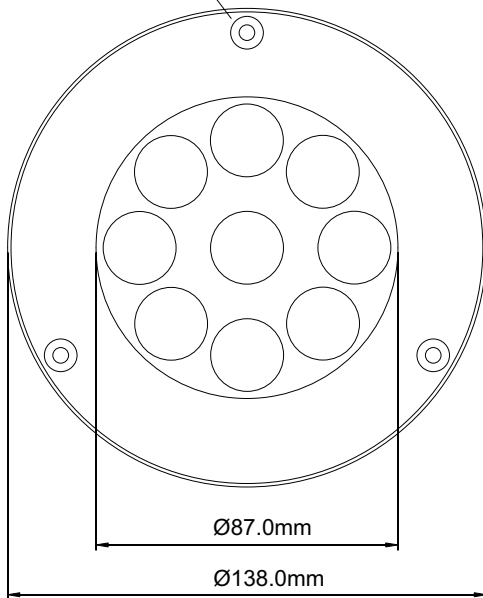


## Mechanical Details

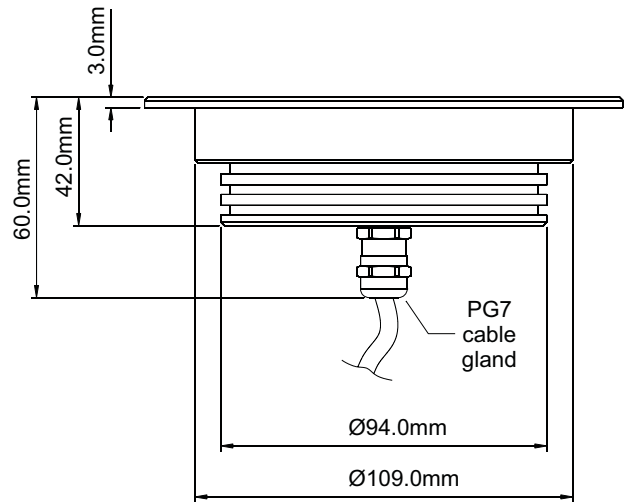
Top View

Side View

3 x Ø4.5 C/SUNK HOLES  
ON A 124.0mm PCD



Bezel O.D. 138.0mm, Thickness 3.0mm  
Body O.D. 109mm, Rear Depth 57.0mm

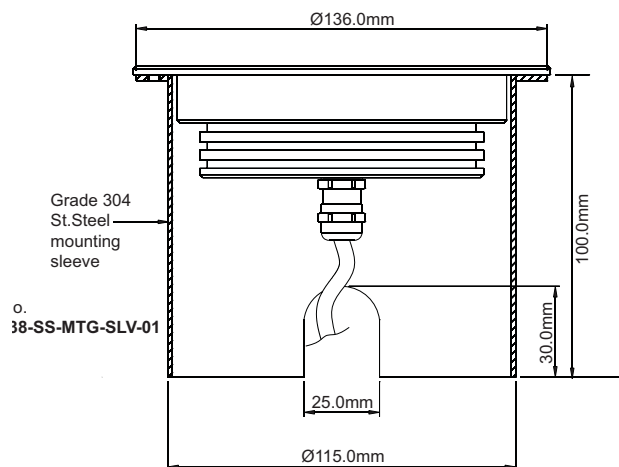
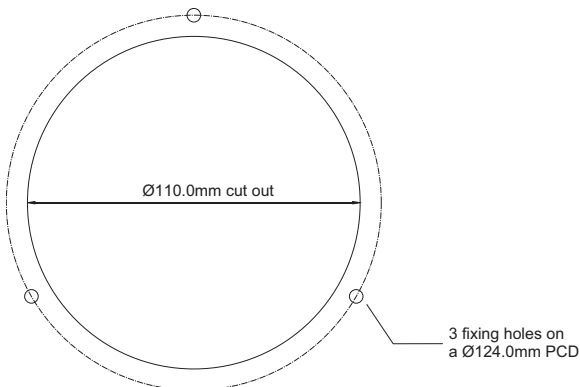


Lens = 12mm Glass  
Environmental Protection to IP67

## Mounting Details

1) Mounting without sleeve

2) Mounting with sleeve (standard sleeve)



The appearance and specifications of the product may be modified for improvement without notice.