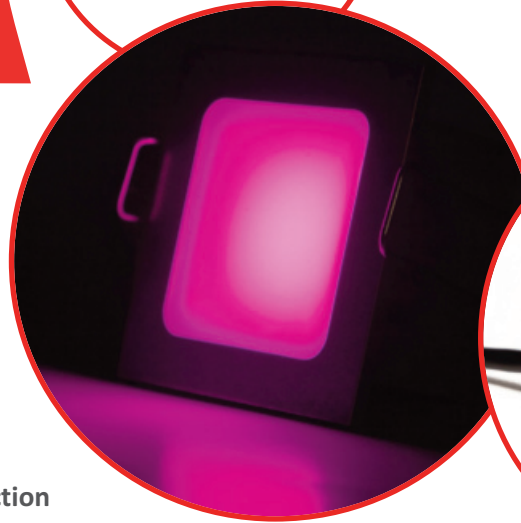


SQ55 (2.2 Watts max)

55mm Square
LED Wall Light



- Compact wall / step light
- Spring clip mounting
- High output, low profile
- Choice of anodised colours
- Low voltage, high efficiency
- Long life - 30,000hrs typical
- High reliability, low maintenance
- Robust, corrosion-resistant, construction

Description

55mm x 55mm LED wall/step light, made from an aluminium housing and available in a range of attractive anodised finishes. Fitted with 9 or 16 high brightness LEDs and a 3mm acrylic lens. Terminated with a 1 metre flying lead via a cable gland. Multiple luminaires can be wired together in parallel for ease of installation. Easy wall/panel mounting with spring clips.

Characteristics

Optical

Number of LEDs:
i) Colour Change = 9 x integrated RGB surface mount
ii) Single Colour = 16 x PLCC-2
Illuminated Area = 33.0mm x 33.0mm
Viewing Angle = 60°

White LED Data:

Colour	Lumens	CCT(typ)
Cool White	95	6000K
Mid White	80	4000K
Warm White	70	3000K

Electrical

i) Single Colour (except Pink):
Voltage Range = 23.0-24.5VDC
Current = 84mA (0.084A)
Power = 2.1Watts max.

ii) Colour Change (RGB):
Voltage Range = 11.5-12.5VDC
Current = 180mA (0.18A)
Power = 2.2Watts max.

iii) Pink:
Voltage Range = 11.7-12.7VDC
Current = 32mA (0.032A)
Power = 0.5Watts max.
Above data for P652 PCB

Mechanical

Bezel = □ 55.0mm,
Bezel Thickness = 3.0mm
Body = □ 41.0mm,
Rear Depth = 52.5mm
Lens = 3.0mm opal acrylic
Mounting Cutout = □ 42.0mm
IP Rating = IP54
Product Weight = 0.2kg
Termination = 1 metre, cable
Luminaire Classification = Class III
 (In accordance with BS EN 60598 1:2008)

Selection Guide

SQ55-

Product Series

SQ = Square LED Luminaire, size 55 x 55mm.

CA-

Housing

SA = Satin Anodised
 CA = Clear Anodised

PINK-

LED Colour

R = Red
 A = Amber
 G = Green
 T = Turquoise
 B = Blue
 CM = Colour Mix (RGB colour change)
 CW = Cool White
 MW = Mid White
 WW = Warm White
 Pink = Preset Pink

OP-

Lens Type

OP = Opal (default)
 C = Clear

12

Voltage

12 = 12VDC (colour change & pink)
 24 = 24VDC (single colour)

Example **SQ55-CA-PINK-OP-12** (SQ55, Clear Anodised, Preset Pink, Opal Lens, 12VDC)

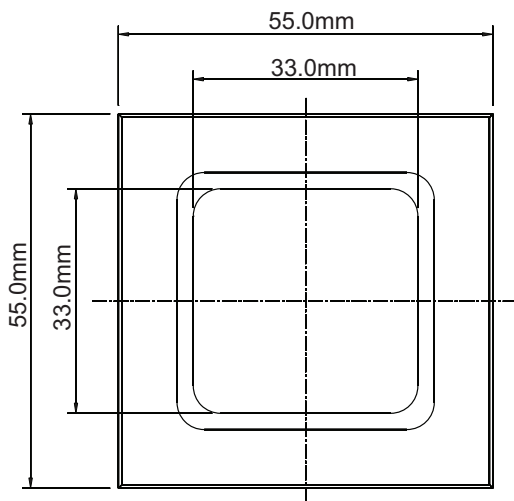
SQ55 (2.2 Watts max)

55mm Square
LED Wall Light

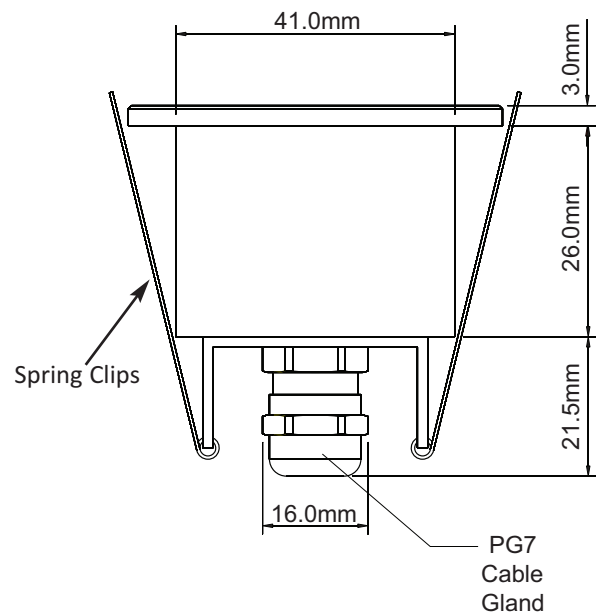


Mechanical Details

Front View

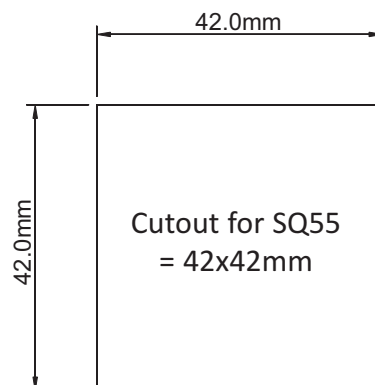


Side View



Bezel □55.0mm, Thickness 3.0mm
Body □41mm, Rear Depth 52.5mm (to rear of cable gland)

Mounting Details



Luminaire fits into a 42 x 42mm cut-out. Fix into place using acrylic/constructional adhesive.

The appearance and specifications of the product may be modified for improvement without notice.