

SKD114 (10W max.)

Ø114mm Recessed LED Sparkle Luminaire



- Sparkle / Twinkle effect
- Custom-designed crystal array with wide 360° output
- Ideal for facade lighting (IP67)
- Uses 6x high quality Osram LEDs (LEDs controlled in pairs)
- Low voltage, high efficiency
- Other fixture sizes are available



Description

SKD series has been designed to produce a bright sparkle effect with an omni-directional output. It works by animating the LEDs inside the fitting to illuminate 3 pairs of LEDs at different times, to produce a sparkling and twinkling effect. The light from the LEDs fires through secondary optics into a custom-designed, multi-faceted, 6-crystal array - allowing the light to illuminate forwards and in multiple sideways directions. The luminaire is constructed from high performance 316 stainless steel bezel and anodised aluminium body with 6x high quality Osram LEDs and narrow angle optics with a crystal array and a clear dome lens. Terminated with a 1 metre flying lead (other lengths available) via IP67 cable gland. Power & control is provided via *njo* control gear.

Characteristics

Optical

Number of LEDs = 6x high power LEDs (Osram 2W LEDs)

LED Data:

Colour	CCT	LED Output	CRI
Cool White	6500K	1,400lm (max.)	75 (min.)
Mid White	4000K	1,200lm (max.)	85 (min.)
Warm White	3000K	1,000lm (max.)	85 (min.)
Warm White	2700K	900lm (max.)	85 (min.)

Electrical

Operating Voltage = 6VDC typ.
 LED Constant Current = 500mA
 Luminaire Current = 1.5A
 Power = 10W max. (transient)
 Above data for P972 PCB
 Termination = 4-core rubberised cable, 0.5mm² CSA, 5.8mm OD (njo Ref. W409)
 Luminaire Classification = Class III
 (In accordance with BS EN 60598-1:2008)

Mechanical

Bezel O.D. = Ø114.0mm
 Thickness = 3.0mm
 Body O.D. = Ø92.5mm
 Rear Depth = 75mm typ. (including cable bend radius)
 Dome Lens = Ø78.5mm clear toughened glass
 Mounting Hole = Ø94.0mm
 IP Rating = IP67
 Product Weight = 1.0kg

Selection Guide

SKD114-

Product Series

SKD = Sparkle Dome Luminaire
 114 = 114mm Bezel Diameter

(Ø140mm also available)

S-

Housing

S = Stainless Steel Bezel, Anodised Aluminium Body
 BD = 'Blackodised' Stainless Steel Bezel, Anodised Aluminium Body

W27-

LED Colour

W65 = Cool White (6500K)
 W40 = Mid White (4000K)
 W30 = Warm White (3000K)
 W27 = Warm White (2700K)

Other colour options available

C-

Lens Type

C = Clear

500-

Current

500 = 500mA

2M

Cable

2M = 2 metre cable
 4M = 4 metre cable

(if a 1 metre cable is fitted, no code needs to be added)

Example **SKD114-S-W27-C-500-2M** (SKD114, Stainless Steel Bezel, Warm White 2700K LEDs, Clear Dome Lens, 500mA, 2 Metre Cable)

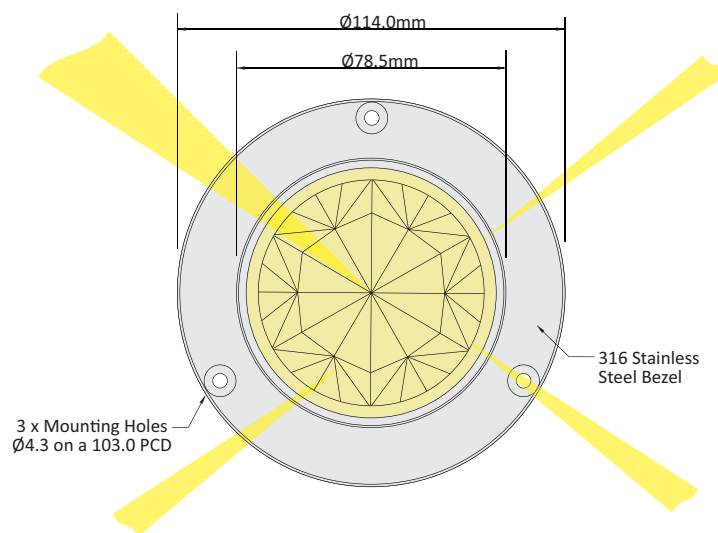
SKD114 (10W max.)

Ø114mm Recessed LED
Sparkle Luminaire



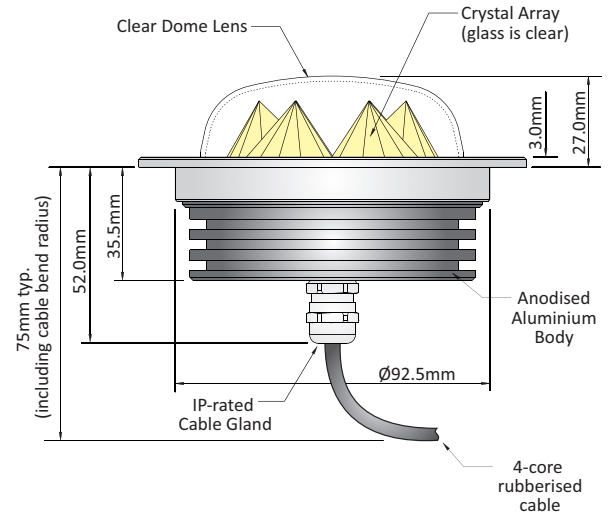
Mechanical Details

Top View
(SKD114 shown here)



Bezel O.D. 114.0mm, Thickness 3.0mm
Body O.D. 92.5mm, Rear Depth 75mm typ.

Side View
(SKD114 shown here)

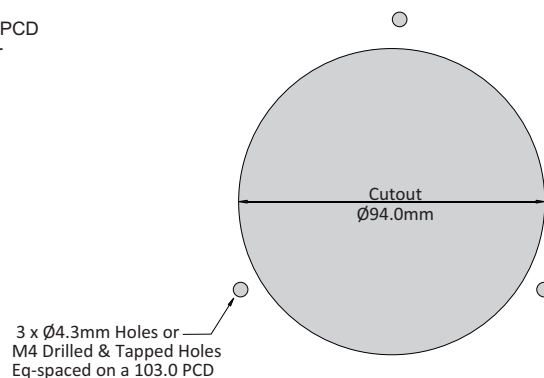


Domed Lens = Ø78.5mm
Environmental Protection to IP67

Mounting Detail

Cut-out Requirement:

- i) Ø94.0mm hole for LED housing
- ii) 3 holes equally spaced on a Ø103.0mm PCD
 - These are either Ø4.3mm plain holes or drilled and tapped for M6 Screws



The appearance and specifications of the product may be modified for improvement without notice.