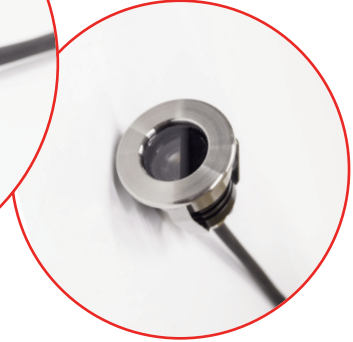


## RXS37 Series (1.7W max.)

Ø37mm Single Colour Recessed Light - for mounting into walls & floors

Project: Grand Majlis, Mercure Hotel

- Ideal for highlighting stair treads
- Single Colour LED Light
- A choice of White LED CCTs
- Low voltage, high efficiency
- Optional glare shield



## Description

This recessed LED light is suitable for a range of applications i.e. illuminating stair treads. Constructed from a 316 stainless steel bezel and an anodised aluminium back. The luminaire is fitted with a single Osram "Oslon Square" LED, a Ledil "Tina2" secondary output optic and a clear glass lens. Terminated with a 2-core rubberised flying lead via an IP68 cable gland. The LED lights can be supplied with an optional internal glare shield. Fitted with spring clip for easy mounting. The fittings are dimmable using a suitable constant current (500mA) dimmable LED power supply.

## Characteristics

### Optical

Number of LEDs = 1 High Power LED  
Illuminated Area = Ø21.0mm  
Optic = Fitted with a Ledil "Tina2" optic

#### White LED Data:

Colour	CCT	lm	CRI(typ.)
Warm White	3000K	130	90
Mid White	4000K	150	82
Cool White	5000K	150	82

Note: Lumen output shown has been adjusted to account for 85% optic efficiency.

### Electrical details

Typical Voltage = 3.0-3.4VDC  
(N.B. this luminaire must be connected to a constant current LED driver.)  
Typical Current = 500mA (0.5A)  
Power Consumption = 1.7W Max.  
Above data for P849 PCB  
Termination = 1 metre, 2-core, 0.5mm<sup>2</sup> CSA, 4.9mm OD Cable (njo Ref. No. W219)  
Luminaire Classification = Class III  
(In accordance with BS EN 60598-1:2008)

### Mechanical

Bezel O.D. = Ø37.0mm  
Back O.D. = Ø29.0mm  
Rear Depth = 60mm typ. (see drawing and note \* on Page 2)  
Lens = 6mm Clear Toughened Glass  
Mounting = Spring Clip  
IP Rating = IP67  
Product Weight = 0.2kg

## Selection Guide

RXS37-	S-	WW-	WA-	C-	500-	GS
Product Series	Housing	Colour	Output Angle	Lens Type	Current	Glare Shield
RXS = Recessed LED Light 37 = Front Bezel Diameter	S = Stainless steel bezel with anodised aluminium back	CW = Cool White MW = Mid White WW = Warm White	NA = Narrow (13°) MA = Medium (25°) WA = Wide (50°) EL = Elliptical (34° x 16°)	C = Clear	500 = 500mA	GS = Glare Shield (optional)

(Angles quoted are "full angles")

Example **RXS37-S-WW-WA-C-500-GS** (RXS37, Stainless Steel Bezel, Warm White LED, Wide Angle Output, Clear Lens, 500mA, Glare Shield)

# RXS37 Series (1.7W max.)

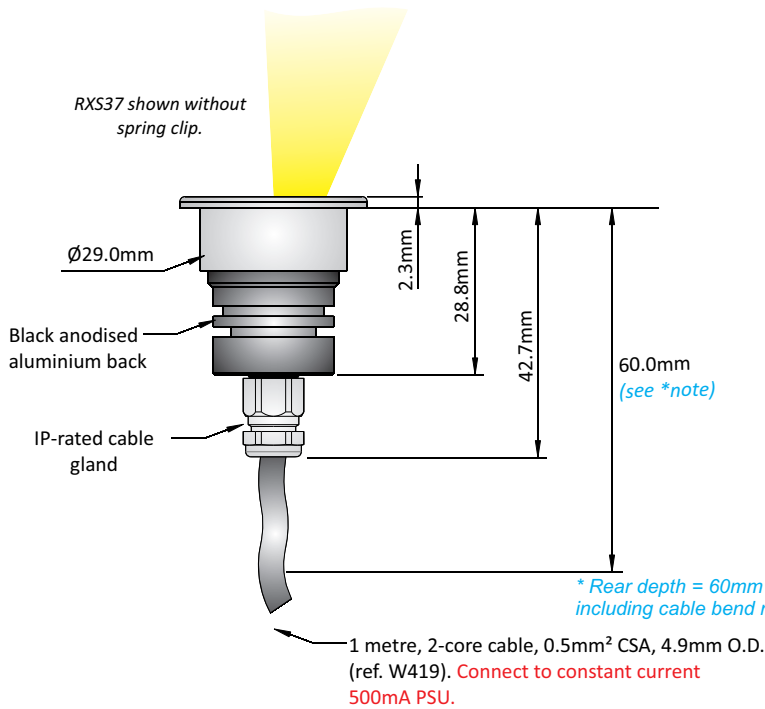
Ø37mm Single Colour Recessed Light - for mounting into walls & floors

Project: Grand Majlis, Mercure Hotel



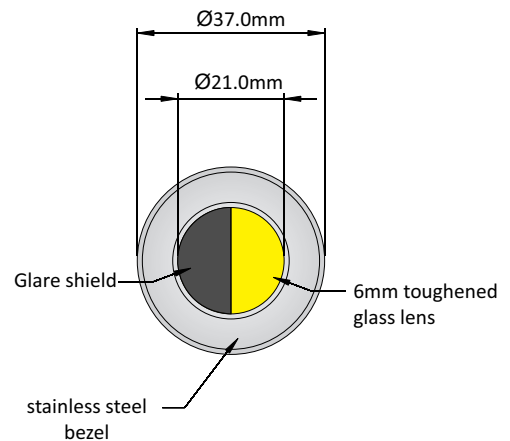
## Mechanical Details

### Side View



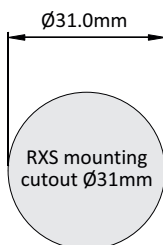
### Front View

RXS37 with glare shield ("-GS") shown

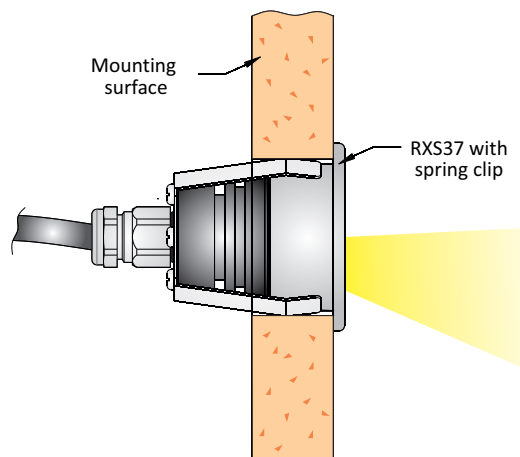


## Mounting Details

### i, Cutout



### ii, Mounted RXS37 Unit



The appearance and specifications of the product may be modified for improvement without notice. All dimensions in mm.