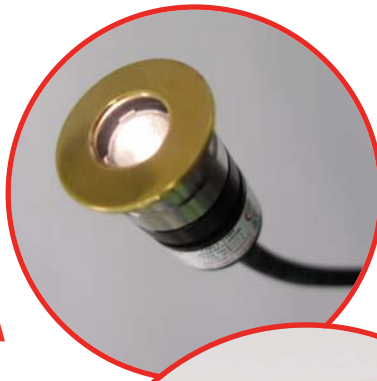


RLX20 (1.2W max.)

Ø20mm Recessed
LED Waymarker



- Compact waymaker/point of light
- Wall or floor mounting
- High output, low profile
- Wide range of ultrabright LED colours
- Low voltage, high efficiency
- Long life - 50,000hrs typical
- High reliability, low maintenance

Description

Walkover LED upright fitted with 1 high power Osram "Oslon" LED and "Ledil" secondary optic. Constructed from a high performance stainless steel bezel and anodised aluminium body (or optional stainless steel body for the IP68 rated version) with a choice of clear or diffused glass lenses, and a choice of optics. Terminated with a 1 metre, 2-core rubberised cable (other cable lengths available).

Must be connected to a 350mA constant current power supply (LED driver).

Characteristics

Optical

Number of LEDs = 1 high power LED
Illuminated Area = Ø8.5mm
Viewing Angle = 16°, 25° or 70°
(Angles quoted are "inclusive angles".)

LED Output:

Colour	CCT/nm	lm	CRI
Cool White	5000K	145	83 typ.
Mid White	4000K	130	83 typ.
Warm White	2700K	110	83 typ.
Red	630nm	55	-
Blue	470nm	36	-

Note: lumen output accounts for an 90% optic efficiency.

Electrical

Typical Voltage = 3.1VDC
Typical Current = 350mA (0.35A)
Power Consumption = 1.2W max.
Above data is for njo P761 PCB
Termination = 1 metre, 2-core rubberised cable, 0.34mm² CSA, 4.2mm OD (njo Ref. W225)
Luminaire Classification = Class III
(In accordance with BS EN 60598-1:2008)

Mechanical

Bezel O.D. = Ø20.0mm
Body O.D. = Ø16.0mm
Rear Depth = 34.0mm plus cable radius
Lens = 4.0mm toughened glass
Mounting Hole = 17.0mm
IP Rating Options:
i, IP53
ii, IP67 (with silicone lens gasket),
iii, IP68 (gasket & optional stainless steel rear housing)
Product Weight = 0.10kg

Selection Guide

RLX20-	S-	B-	MA-	C-	350-	IP67
Product Series	Housing	LED Colour	Output Angle	Lens Type	Current	IP Rating Options
RLX = Recessed Luminaire with a high power LED 20 = Bezel Diameter (mm)	S = 316 St. steel Bezel with Black Anodised Body SS = 316 St. steel Bezel/Body GP = 316 St. steel Gold Plated Bezel with Black Anodised Aluminium Body BA = Black Anodised Bezel/Body	W50 = Cool White W40 = Mid White W27 = Warm White R = Red B = Blue (other colours and colour temperatures available)	NA = Narrow, 16° MA = Medium, 25° WA = Wide, 70° NO = No Optic	C = Clear D = Diffused	350 = 350mA	IP53 IP67 IP68

Example **RLX20-S-B-MA-C-350-IP67** (RLX20, Stainless Steel Bezel and Aluminium Body, Blue LED, Medium Angle Optic, Clear Lens, 350mA, IP67)

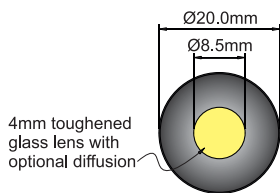
RLX20 (1.2W max.)

Ø20mm Recessed
LED Waymarker

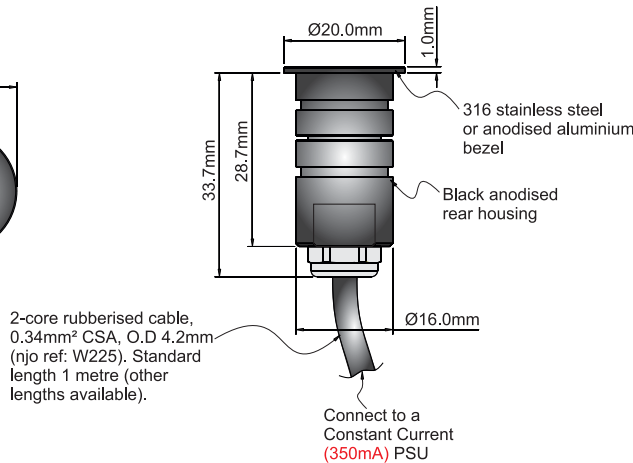


Mechanical Details

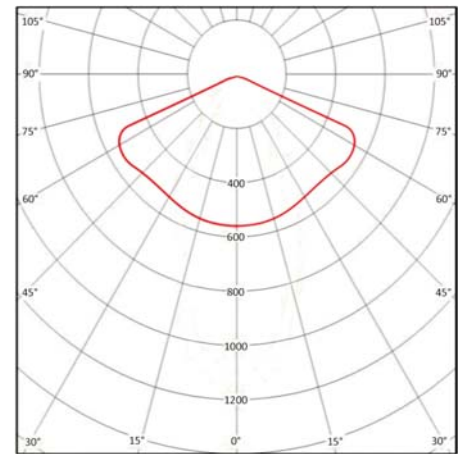
Top View



Side View



Photometric Example



Bezel O.D. Ø20.0mm, Thickness 1.0mm
Body O.D. Ø16.0mm, Rear Depth 33.7mm
Suggested mounting hole Ø17.0mm, when used without mounting sleeve.

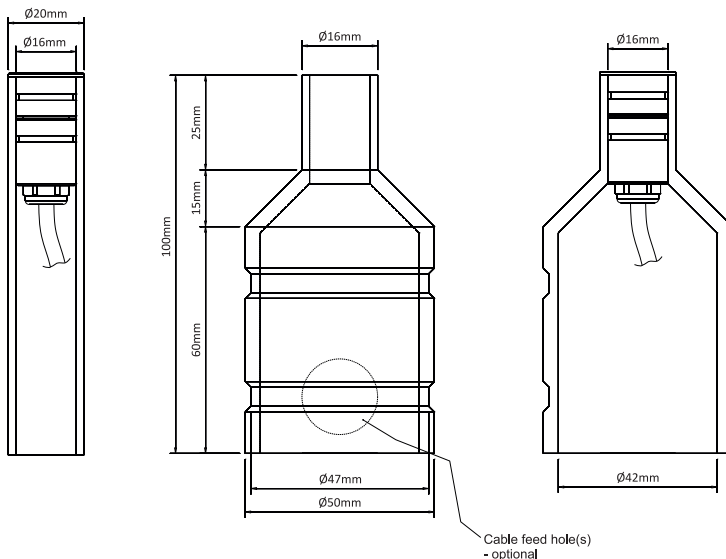
Lens = 4mm Toughened Glass

Mounting Sleeves & Wiring

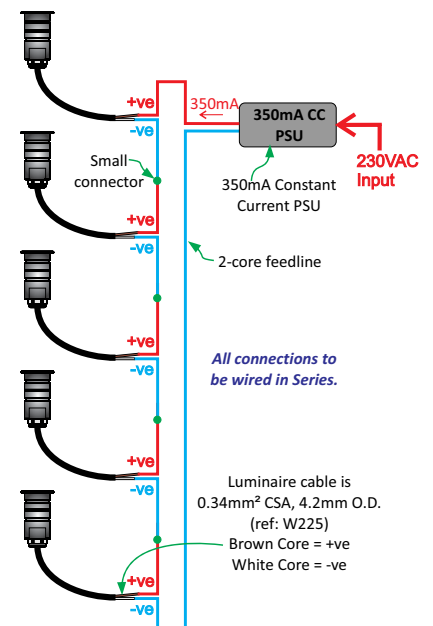
Mounting Sleeve Options

Option A - Machined black / natural Acetal sleeve, Ø20mm

Option B - Machined black Acetal sleeve, Ø50mm



Typical Wiring



The appearance and specifications of the product may be modified for improvement without notice.