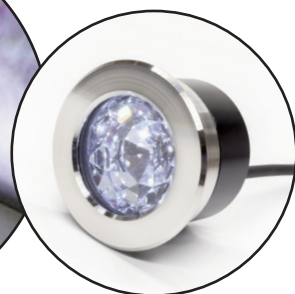
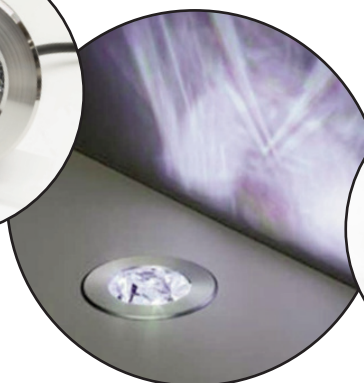
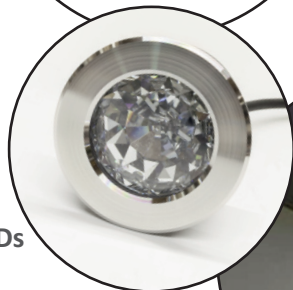


RLS60 (1W Max.)

Ø63mm Recessed LED
Sparkle Uplight



- Ideal for indoor/outdoor use
- Wide output with special crystal
- Sparkle decorative effect
- Uses 6x side emitting lighting quality LEDs
- Low voltage, high efficiency
- 316 stainless steel trim



Description

RLS series has been designed to produce a an attractive decorative effect on an adjacent wall. It works by using side-firing LEDs into a multi-faceted crystal - allowing the light to illuminate forwards and reflect up in multiple directions. The luminaire is constructed from a 316 stainless steel bezel and black acetal body with 6x side emitting LEDs, on-board regulation, a single internal crystal and a clear toughened glass lens. Terminated with a 1 metre cable (other lengths are available) via IP67 cable gland. Connect to 24VDC constant voltage power supply. An optional black acetal mounting sleeve "RLS60-SLEEVE-ACE-01" is available for an easy push-fit installation (see page 2 for more details).

Characteristics

Optical

Number of LEDs = 6x Side Emitting LEDs

Output Data:

Code	Colour	CCT	Source Lumens	CRI
CW	Cool White	6000K	65	80(min.)
MW	Mid White	4000K	55	80(min.)
WW	Warm White	3000K	55	80(min.)

Electrical

Operating Voltage = 24VDC typ.
Current = 27mA (0.027A)
Configured in 1 string of 6 LEDs.
Power = 1.0W max.
Above data for P889A and P991 PCBs
Termination = 1 metre, 2-core rubberised cable, 0.5mm² CSA, 5.5mm O.D. (ref: W219)
Luminaire Classification = Class III
(In accordance with BS EN 60598-1:2015)

Mechanical

Bezel O.D. = Ø63.0mm x 2.0mm thick
Body O.D. = Ø55.0mm
Rear Depth = 60mm typ. (including a cable bend radius)
Lens = 8mm Toughened Glass
Mounting Hole = Ø56.0mm
IP Rating = IP67
Product Weight = 0.24kg

Selection Guide

RLS60-	S-	WW-	24-	xM
Product Series	Housing	Colour Output	Voltage	Cable
RLS60 = Recessed Sparkle Luminaire	S = Stainless Steel Bezel, Black Acetal Body	CW = Cool White (6000K) MW = Mid White (4000K) WW = Warm White (3000K)	24 = 24VDC	xM = Cable Length in Metres
		<i>Other colour options are available</i>		

Example **RLS60-S-WW-24-1M** (RLS60, Stainless Steel Bezel with Black Acetal Body, Warm White (3000K) LEDs, 24VDC, 1 Metre Cable)

RLS60 (1W Max.)

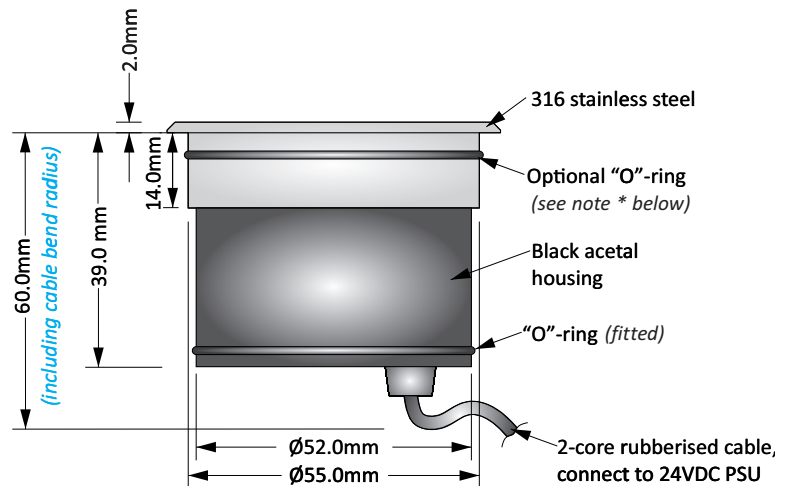
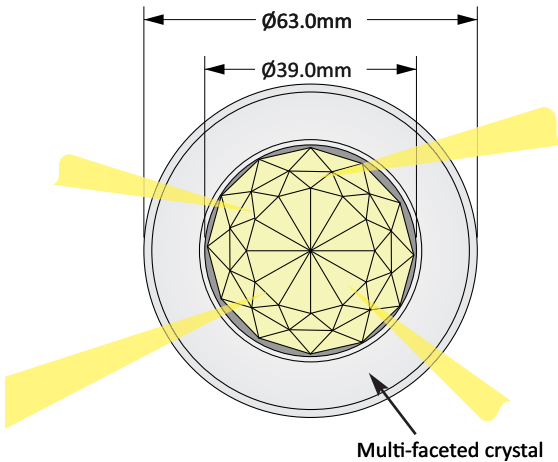
Ø63mm Recessed LED
Sparkle Uplight



Mechanical Details

Top View

Side View



Bezel O.D. 63.0mm, Thickness 2.0mm
Body O.D. 55.0mm, Rear Depth 60.0mm typ.
Lens = 8.0mm Toughened Glass
Environmental Protection to IP67

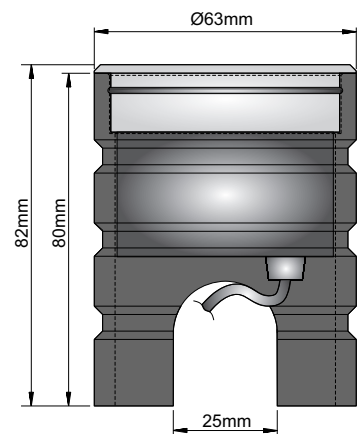
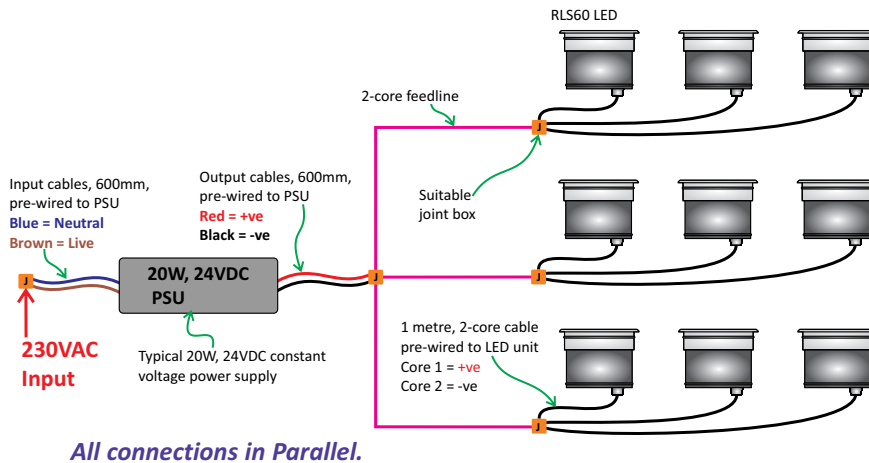
Note *:
The LED fixture is supplied with the lower "O" ring (on the back of the acetal housing) in place. For a tighter push fit into the sleeve, a second "O" ring can be used on the front bezel (a thin coating of a suitable lubricant can aid insertion). (Alternatively, the LED can be fitted directly into a Ø56.0mm hole and secured into place using a suitable structural adhesive.)

Wiring & Mounting Details

i, Typical Wiring

ii, Mounting Sleeve

Part No. "RLS60-SLEEVE-ACE-01"



The appearance and specifications of the product may be modified for improvement without notice.