

## RFX80E (4.5 Watts)

Ø80mm Wall Recessed LED  
with "Eyelid" Glare Shield

Project: Fairmont Hotel

Ref: U2 & U4 (With Recessed  
Mounting Sleeve)



- Uses internal eyelid for glare reduction
- High output, low profile
- 355lm, 3000K, 90CRI
- Wide range of ultrabright LED colours
- Robust, corrosion-resistant construction
- Cool to touch
- Low voltage, high efficiency
- Long life - 50,000hrs typical



## Description

Ø80mm recessed LED, constructed from a bronze bezel and an anodised aluminium body. Each unit is fitted with 1 x high power "CREE" COB LED with 2 step MacAdam binning, a "CHQ" optic, a laser cut "eyelid" glare shield and a clear glass lens. The upright is pre-wired with a 2-core, 1 metre rubberised cable (other lengths are available). This LED unit must be connected to a **500mA constant current** switch mode power supply (for example, connect 3 of these lights in series to a "**PSU-1028-18-500**" power supply). Fitted using **short mounting sleeve ("RFX80-SLV-01")**.

## Characteristics

### Optical

Number of LEDs = 1 x high power COB LED  
(CREE "CXA1304")

Illuminated Area = Ø53.0mm

Optic = Fitted with a "CHQ" optic

White LED Data:

Code	Colour	CCT	Output	CRI
W30	Warm White	3000K	355lm	90+

Note: Lumen output figures have been adjusted to account for a 90% optic efficiency.

### Electrical

Operating Voltage = Approx. 9VDC  
(N.B. must be connected to a constant current LED control gear)

Current = 500mA (0.5A)

Power Consumption = 4.5W max.

Termination = 2-core rubberised cable,  
0.5mm<sup>2</sup> CSA, 4.9mm O.D. (ref: W219)

Luminaire Classification = Class III  
(In accordance with BS EN 60598-1:2008)

### Mechanical

Bezel O.D. Ø80.0mm, Thickness = 3.0mm  
Body O.D. Ø62.0mm, Rear Depth = 48.0mm

Lens = 10.0mm toughened clear glass

Lens Diameter = Ø48.0mm

Mounting Hole:

Cutout = Ø63.0mm

Sleeve Cutout = Ø71-72mm

IP Rating = IP67

Product Weight = 0.5kg

## Selection Guide

RFX80E-	ABR-	W30-	NA-	C-	500
<b>Product Series</b>	<b>Housing</b>	<b>LED Colour</b>	<b>Output Angle</b>	<b>Lens Type</b>	<b>Drive</b>
RFX80E = Ø80mm Recessed Uplight with "Eyelid" glare shield	ABR = Bronze Bezel with Anodised Aluminium Body	W30 = 3000K Warm White  Other LED colours/CCTs are available	NA = Narrow Beam EL = Wide Output with Larger Eyelid Aperture	C = Clear	500mA = 500mA Drive Current

Example **RFX80E-ABR-W30-NA-C-500** (RFX80E, Bronze Bezel, 3000K Warm White LEDs, Narrow Angle Optics, Clear Lens, 500mA)

## RFX80E (4.5 Watts)

Ø80mm Wall Recessed LED  
with "Eyelid" Glare Shield

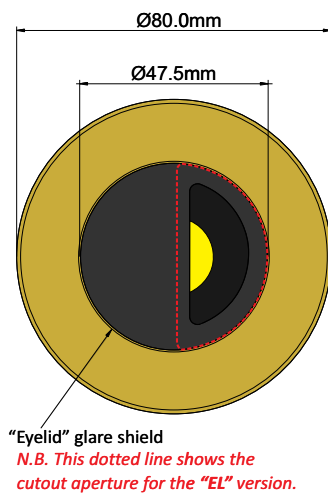
Project: Fairmont Hotel

Ref: U2 & U4 (With Recessed  
Mounting Sleeve)

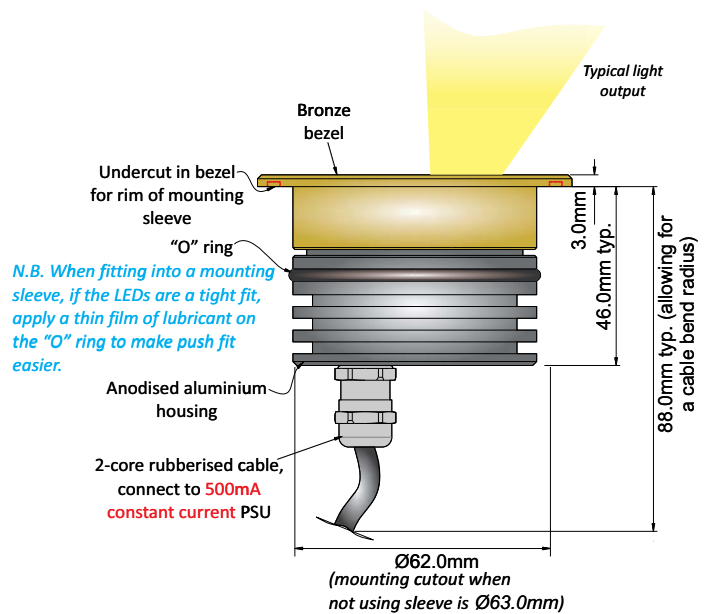


## Mechanical Details

Front View



Side View



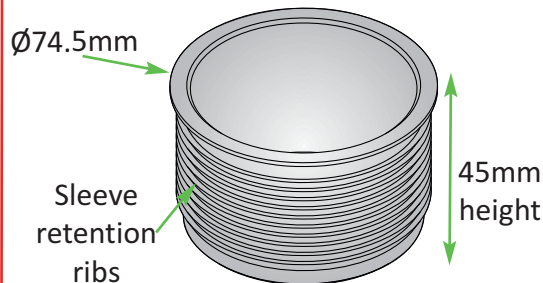
## PSU, Mounting & Photometric Details

i, PSU



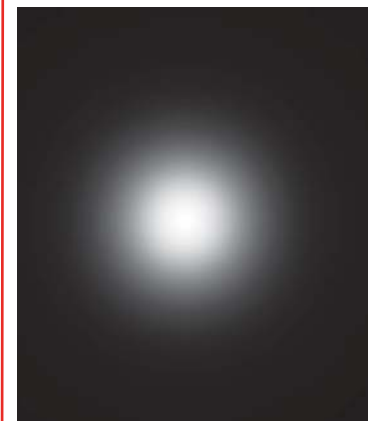
18W, 500mA Constant  
Current Power Supply  
Part No.  
"PSU-1028-18-500"

ii, Mounting Detail, using  
short sleeve (black acetal),  
part no. "RFX80-SLV-01"



*Sleeve is designed to suit a 71-72mm  
hole and can be secured into position  
with a suitable acrylic or silicone  
structural adhesive.*

iii, Photometric  
Example of Narrow  
Beam Pattern



The appearance and specifications of the product may be modified for improvement without notice. All dimensions in mm.