

RFM100 (16W typ.)

Ø100mm Recessed LED
Luminaire

Project: Fairmont Hotel

Ref: XFU5, XFU5a, XFU5b, XU2



- High performance COB LED
- Ideal for mounting in the ground, outdoors
- High output, low profile
- Low voltage, high efficiency
- Long life - 50,000hrs typical
- High reliability, low maintenance

Description

Ø100mm recessed LED uplight constructed from a high quality 316 stainless steel bezel and anodised aluminium body. Each LED unit is fitted with 1 x high power COB LED with 2-step MacAdam binning, a "CEN" optic and a toughened clear glass lens. Terminated with a 2-core flying lead via a cable gland. The fitting is rear encapsulated, maintaining mechanical integrity and offering ingress protection. This LED unit must be connected to a **constant current** switch mode power supply.

An acetal mounting sleeve (Part No. "**RFM100-SLEEVE-ACE-01**") is available. This has containment space for the power supply (Part No. "**PSU-1094-25-48-DIM**"). Please see page 2 for mechanical details.

Characteristics

Optical

Number of LEDs = 1 x high performance COB LED,
Ø9mm LES (Light Emitting Surface)
Illuminated Area = Ø70.0mm
Optics = Fitted with "CEN" optic

White LED Data:

Code	Colour	CCT	Output	CRI
W30	Warm White	3000K	1,620lm	80+

Note: Lumen output figure accounts for a 90% optic efficiency.

Electrical

Operating Voltage = 35VDC typ.
(N.B. must be connected to constant current LED control gear)
Current = 450mA typ., 500mA (0.5A) Max.
Power Consumption = 16W typ.
Termination = 2-core rubberised cable, 0.5mm² CSA, 4.9mm O.D. (ref: W219)
Luminaire Classification = Class III
(In accordance with BS EN 60598-1:2008)

Mechanical

Bezel O.D. = Ø100.0mm
Bezel Thickness = 2.0mm
Body O.D. = Ø88.0mm
Lens = 8.0mm toughened glass
Lens Diameter = Ø70.0mm
Mounting Sleeve = See Page 2
IP Rating = IP67
Product Weight = 0.85kg

Selection Guide

RFM100-	S-	W30-	MA-	C-	500-	1M
Product Series	Housing	LED Colour	Output Angle	Lens Type	Drive	Cable
RFM = Recessed Luminaire 100 = Ø100mm bezel	S = Stainless Steel Bezel, Anodised Aluminium Body	W30 = 3000K Warm White <i>Other LED colours/CCTs are available</i>	NA = 12° MA = 21° (XFU5b, XU2) WA = 38° (XFU5, XFU5a)	C = Clear	500 = 500mA Max. Drive Current	1M = 1 Metre Cable <i>(if a 300mm cable is fitted, no code needs to be added)</i>

Example **RFM100-S-W30-MA-C-500** (RFM100, Stainless Steel Bezel, 3000K Warm White LED, 21° Output Angle, Clear Glass Lens, 500mA Max., 300mm Cable)

RFM100 (16W typ.)

Ø100mm Recessed LED
Luminaire

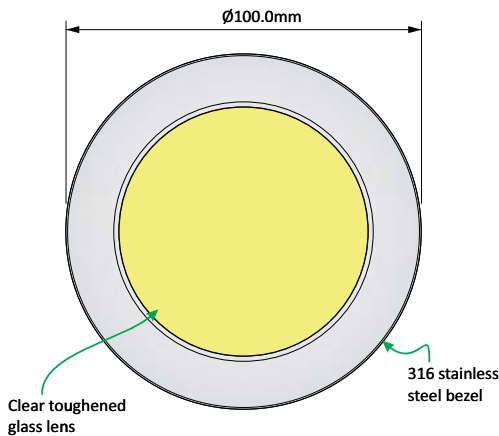
Project: Fairmont Hotel

Ref: XFU5, XFU5a, XFU5b, XU2

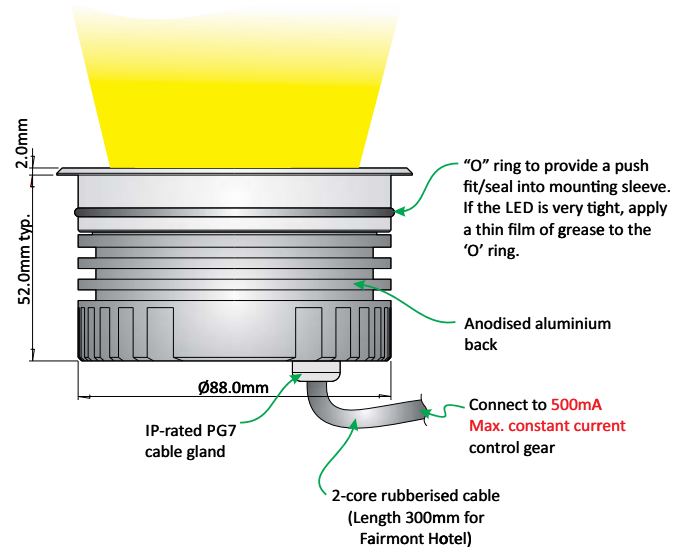


Mechanical Details

Front View

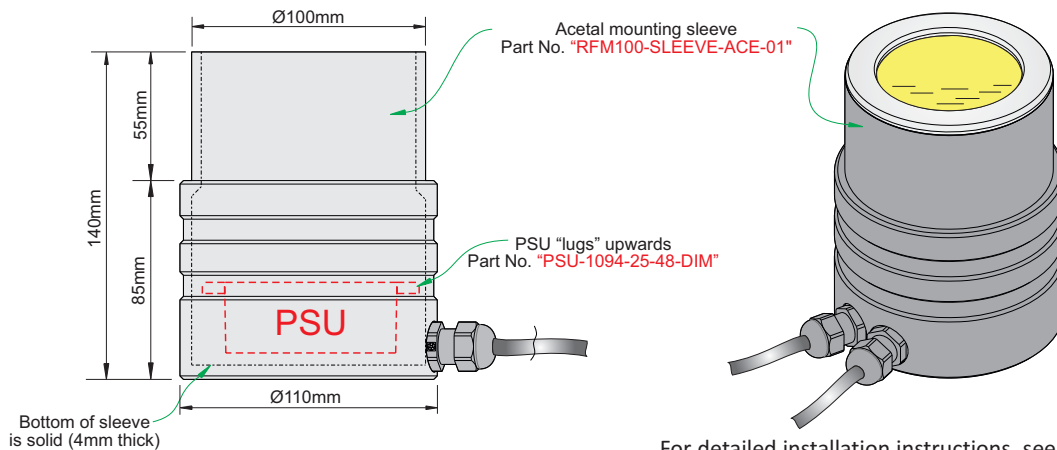


Side View



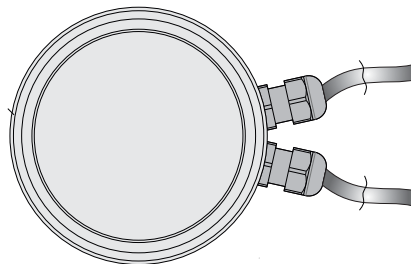
Mounting Details

Side View



For detailed installation instructions, see Drg. No. 26211:

Plan View



The appearance and specifications of the product may be modified for improvement without notice.