

PXW125 (24W max.)

Ø125mm 4-Colour LED
Fountain Luminaire, with on-board current regulation.
Customer Ref: *Type "D"*



- Ideal for use in fountains & water features
- High output, low profile
- Low voltage, high efficiency
- Long life - 50,000hrs typical
- High reliability, low maintenance
- Parallel wiring for ease of installation
- Robust 316 Stainless Steel housing

Description

Ø125mm LED fountain luminaire fitted with 20 x high power Osram "Oslon SSL150" LEDs. Constructed from a high performance, precision machined 316 stainless steel body with a toughened clear glass lens and Carclo IP-rated medium angle (15°) output optics. Terminated with a 4 metre, 5-core TPE flying lead (various lengths available) via an IP68 PG9 cable gland. This LED unit incorporates an on-board "Linear" regulation circuit, allowing the unit to be *wired in parallel* to a **24VDC constant voltage** power supply.

Characteristics

Optical

Number of LEDs = 20 x high power Osram "Oslon SSL150" LEDs

Optic = Carclo IP-rated optics

LED Details:

| Colour | CCT/nm | Output | CRI |
|-----------|--------|--------|-----|
| Red | 625nm | 215lm | - |
| Green | 525nm | 330lm | - |
| Blue | 470nm | 90lm | - |
| Mid White | 4000K | 425lm | 83 |

Note: Lumen output has been adjusted for a 90% optic efficiency.

Electrical

Operating Voltage = 23.0-25.0VDC (24.0VDC typ.)

Typical Current = 0.97A (975mA)
Configured in 4 strings of 5 LEDs, each string running at 243mA

Power Consumption = 24W max.

Above data is for njo P907 PCB

Termination = 5-core cable 0.5mm² CSA, O.D. 6.6mm (njo ref: W504)

Luminaire Classification = Class III
(In accordance with BS EN 60598-1:2008)

Mechanical

Bezel O.D. = Ø125.0mm

Body = Stainless Steel

Lens = 8.0mm clear toughened glass

Lens Diameter = Ø90.0mm

IP Rating = IP68

Product Weight = 2.0kg Stainless Steel

Selection Guide

| PXW125- | SS- | RGBW- | NA- | C- | 24- | 4M |
|-----------------------------------------------------------------------------------|-----------------------------------|----------------------------------------------------------|---------------------------------------------------------------|-----------|----------------------|----------------------------------------|
| Product Series | Housing | LED Colour | Output Angle | Lens | Voltage | Cable Length |
| PXW125 = Fountain luminaire with on-board regulation, front bezel diameter 125mm. | SS = Stainless Steel Bezel & Body | RGBW = Red, Green, Blue & Mid White LEDs (Colour change) | NA = Narrow 15° <i>Angles quoted are "full angles"</i> | C = Clear | 24 = 24VDC (typical) | 1M = 1 metre tail 4M = 4 metre tail |

Example PXW125-SS-RGBW-NA-C-24-4M (PXW125, Stainless Steel, RGBW Colour Change, Narrow Angle Optics, Clear Lens, 24VDC, 4 Metre Cable)

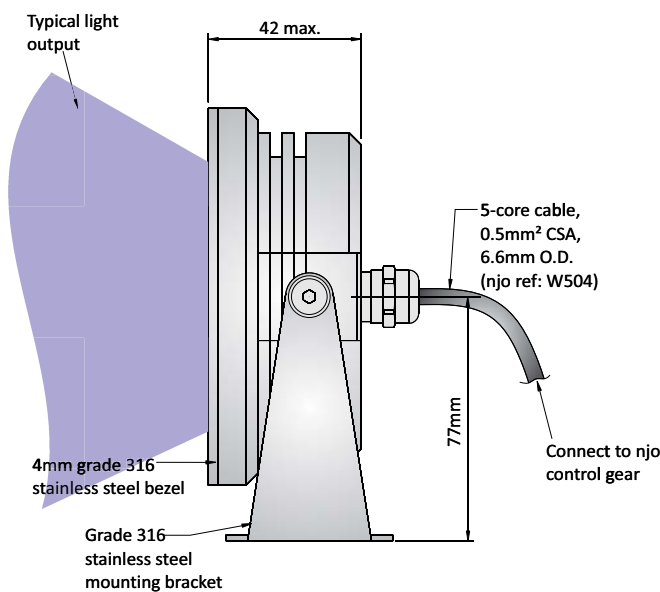
PXW125 (24W max.)

Ø125mm 4-Colour LED
Fountain Luminaire, with on-
board current regulation.
Customer Ref: Type "D"



Mechanical Details

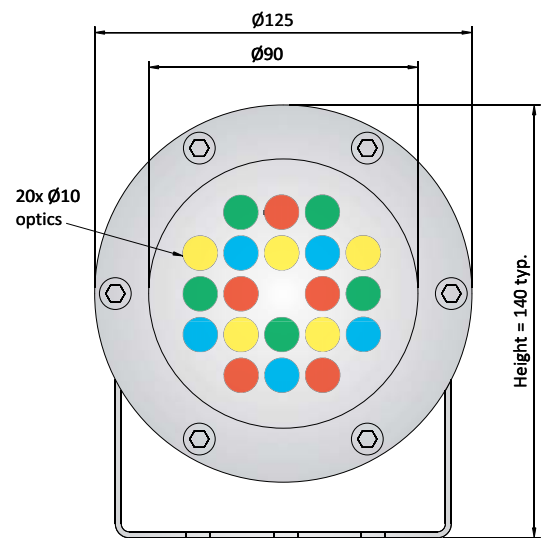
Side View



(Standard bracket shown, scheme-specific design is available, please ask)

NOT TO SCALE

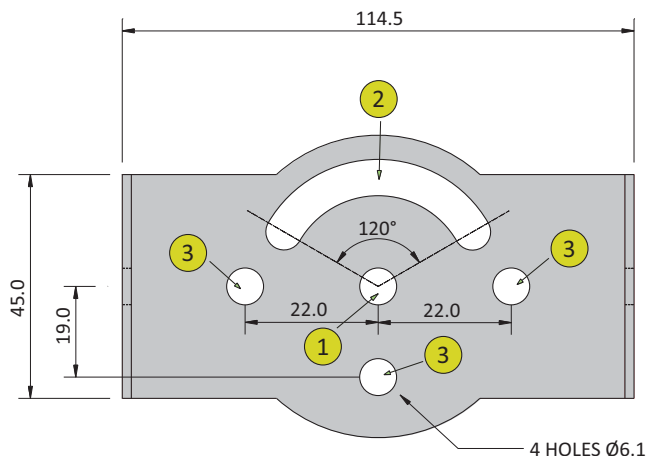
Front View



Dimensions are in mm.

N.B. The LED "colour" is only visible when the fitting is energised.

Bracket Fixing Detail



1) Fasten bracket to your desired mounting surface with 1 screw through hole 1 on the bracket - do not fully tighten yet.

2) Fix a screw through the centre of slot 2 - do not fully tighten yet.

This will now allow rotational adjustment if required. Once the bracket is in the desired position, the fixings can be tightened.

3) If the rotational adjustment is not required, then the bracket can be fixed via the 2 outer holes along the centre of the bracket (holes 3).

If additional strength is required screws can be fixed through the remaining positions.

The appearance and specifications of the product may be modified for improvement without notice.