

PX38 Series (2.3W max.)

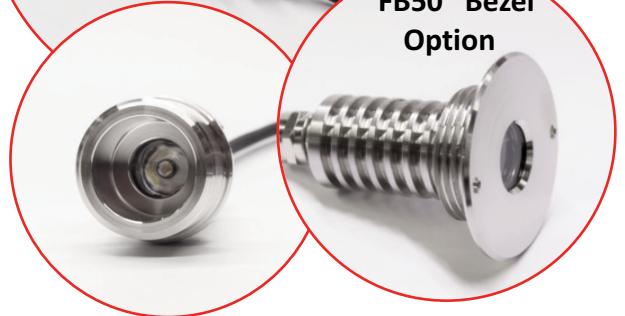
1" BSPP Single Colour
Compact LED Fountain Light
700mA, Wired in Series



"GF" Version



"FB50" Bezel
Option



- High power compact spotlight
- Ideal for highlighting fountain jets (IP68)
- Single Colour LED
- Low voltage, high efficiency
- Robust corrosion-resistant construction
- Made from a 316 Stainless Steel housing
- Choice of front bezel design

Description

Compact LED fountain light constructed from a precision-machined 316 Grade Stainless Steel housing, fitted with a single High Power LED, secondary output optic and a clear glass lens. Each LED unit is pre-wired with a 1 metre (other lengths available), 2-core rubberised flying lead. The fitting is designed with a choice of front bezel, both of which have a 1" BSPP mounting thread. **Must be connected to a suitable constant current (700mA) LED power supply and wired in Series.**

Characteristics

Optical

Number of LEDs = 1x High Power LED
Illuminated Area = \varnothing 15.0mm
Optic Type = Fitted with Ledil "Tina2"

White LED Data:

Colour	CCT	lm	CRI
Cool White	6000K	260	80
Mid White	4000K	245	83
Warm White	3000K	235	83

Note: Lumen output accounts for 90% optic efficiency.

Electrical details

Typical Voltage = 3.2VDC
N.B. Must be connected to 700mA constant current LED driver.
Drive Current = 700mA (0.7A)
Power Consumption = 2.3W Max.
Termination = 1 metre, 2-core rubberised cable, 0.75mm² CSA, 6.0mm O.D. (ref: W217)
Luminaire Classification = Class III
(In accordance with BS EN 60598-1:2008)

Mechanical

Bezel O.D. GF = \varnothing 37mm FB50 = \varnothing 50mm
Body O.D. = \varnothing 24.4mm
Rear Depth = 70mm max. including cable gland
Lens = 6mm Clear Toughened Glass
Mounting Thread = 1" BSPP
IP Rating = IP68
Product Weight = 0.25Kg

Selection Guide

PX38-GF	S-	W40-	NA-	700-	3M
Product Series	Housing	Colour	Output Angle	Drive	Cable Length
PX38 = LED Fountain Light GF = 1" BSPP Threaded Bezel FB50 = \varnothing 50mm Flat Bezel	S = Stainless Steel Grade 316	W60 = 6000K Cool White W40 = 4000K Mid White W30 = 3000K Warm White	NA = Narrow (14°) MA = Medium (30°) WA = Wide (53°) EL = Elliptical (38° x 13°) (Angles quoted are "full angles")	700 = 700mA	3M = 3 Metre Cable 5M = 5 Metre Cable (if a 1 metre cable is fitted, no code needs to be added)

Example PX38-GF-S-W40-NA-700-3M (PX38-GF, Stainless Steel, 4000K Mid White LED, Narrow Angle Output, 700mA, 3 Metre Cable)

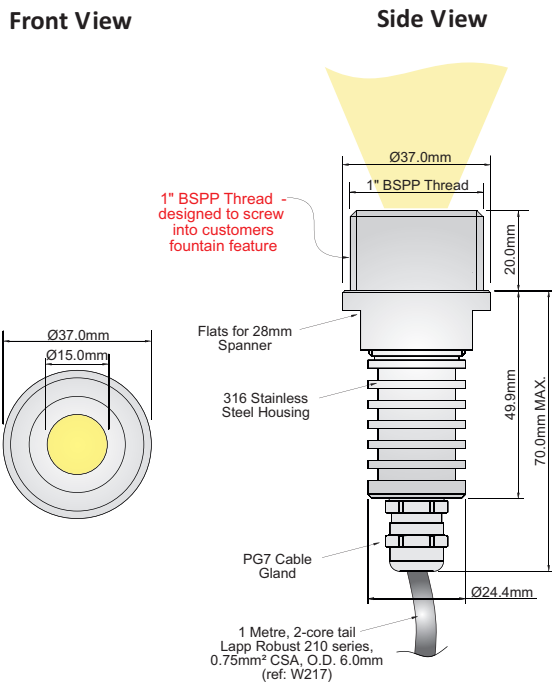
PX38 Series (2.3W max.)

1" BSPP Single Colour
Compact LED Fountain Light
700mA, Wired in Series

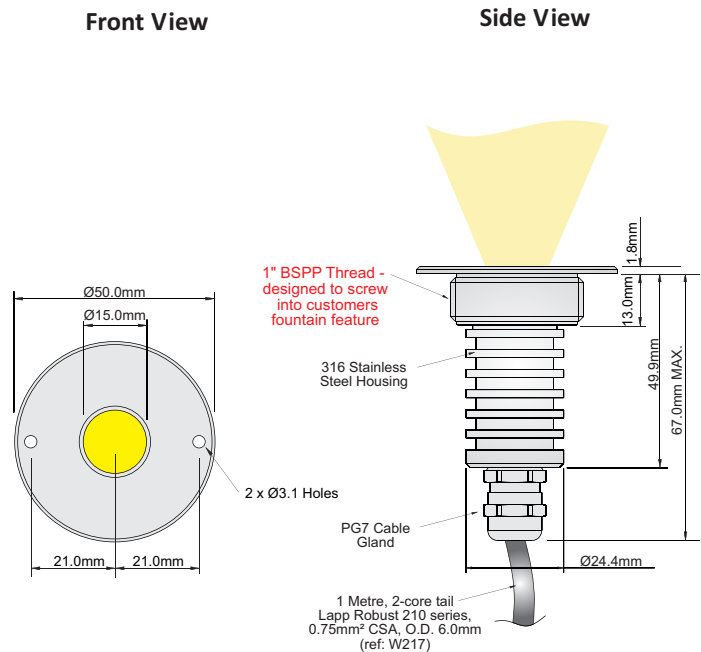


Mechanical Details

A, "GF" Version



B, "FB50" Version



Connection Note:

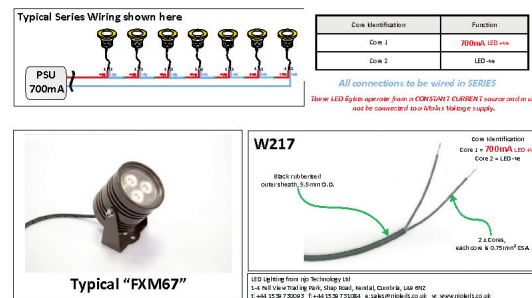
Take care to observe correct orientation when connecting LED unit to control gear. Incorrect assembly is likely to cause damage to/ failure of the LED unit.

Wiring Detail

For wiring details, see Typical Series Wiring diagram, Drg. No. 25939 supplied with fittings.

Typical Series Wiring - Electrical/Wiring Note

Each unit is wired with a 2-core flying lead. All connections to be made in SERIES.



The appearance and specifications of the product may be modified for improvement without notice. All dimensions in mm.