

## PLX87 (6W max.)

Ø87mm 4-Colour Recessed LED Luminaire, 500mA per colour max, series wiring. For Stocksbridge



- Ideal for use in water features (IP68)
- High output, low profile
- Wide range of ultrabright LED colours
- Robust, corrosion-resistant construction
- Cool to touch
- Low voltage, high efficiency

## Description

Ø87mm recessed LED luminaire, constructed from a 316 grade high performance stainless steel bezel and body with a toughened clear glass lens. Each unit is fitted with 4 x high power Osram Oslon SSL LEDs and secondary optics. An optional stainless steel mounting sleeve is available (part no. "PLX87-SLV-BARRY-01"). Standard cable length is 1 metre, other lengths are available. Connect to njo control gear, with constant current DMX LED drivers.

## Characteristics

### Optical

Number of LEDs = 4 x high power LEDs  
Illuminated Area = Ø44.7mm  
Optics = Fitted with Carlo IP-rated optics  
LED Output

Code	Colour	Wavelength	lm	
R	Red	630nm	105	
G	Green	525nm	174	
B	Blue	470nm	60	
Colour	CCT	lm	CRI	
CW	Cool White	6000K	242	70 typ.

Note: Lumen output shown has been adjusted to account for 84% optic efficiency.

### Electrical

Operating Voltage Range = 3.0 - 5.0VDC  
*(N.B. must be connected to constant current LED control gear)*  
LED Current = 500mA max. (for any one colour or a combination of colours)  
Power Consumption = 6.0W max.  
*Above data is for P834 PCB*  
Termination = 8-core TPE cable, 0.25mm<sup>2</sup> CSA, 6.2mm O.D. (ref: W802)  
Luminaire Classification = Class III  
(In accordance with BS EN 60598-1:2008)

### Mechanical

Bezel O.D. Ø87.0mm, Thickness = 3.0mm  
Body O.D. Ø59.0mm, Rear Depth = 90.0mm  
*(see drawing and note \* on Page 2)*  
Lens = 8.0mm toughened glass  
Lens Diameter = Ø44.7mm  
Mounting Hole = Ø60.0mm (without mounting sleeve)  
IP Rating = IP68  
Product Weight = 0.9kg

## Selection Guide

### PLX87-

Product Series  
PLX87 = Ø87.0mm Recessed Luminaire

### SS-

Housing  
SS = Stainless Steel Bezel and Body

### RGBCW-

LED Colour  
RGBCW = 4-Colours

### MA-

Output Angle  
NA = Narrow 15°  
MA = Medium 30°  
WA = Wide 34°  
EL = Elliptical 45° x 16°

### 500

Current  
500 = 500mA

Example **PLX87-SS-RGBCW-MA-500** (PLX87, Stainless Steel Bezel and Housing, Red, Green, Blue & Cool White LEDs, Medium Output Angle, 500mA)

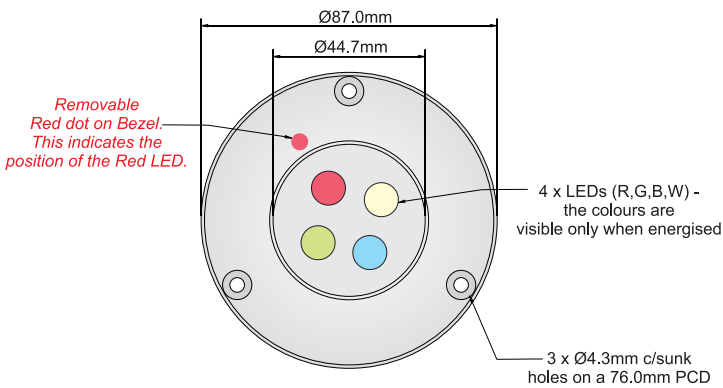
# PLX87 (6W max.)

Ø87mm 4-Colour Recessed LED Luminaire, 500mA per colour max, series wiring. For Stocksbridge



## Mechanical Details

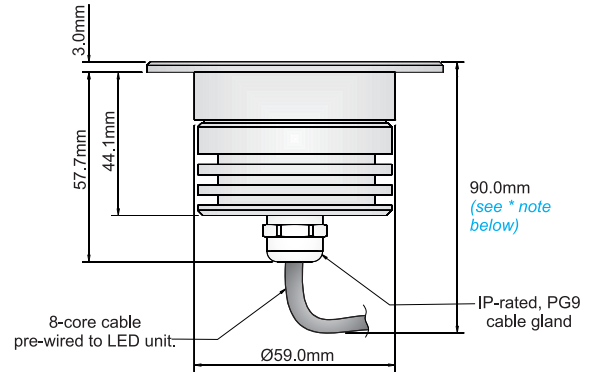
Front View



*N.B. There is no specific orientation/positional relationship between the LEDs and the 3 fixing holes.*

Bezel O.D. Ø87mm, Thickness 3.0mm  
Body O.D. Ø59.0mm, Rear Depth 90.0mm

Side View

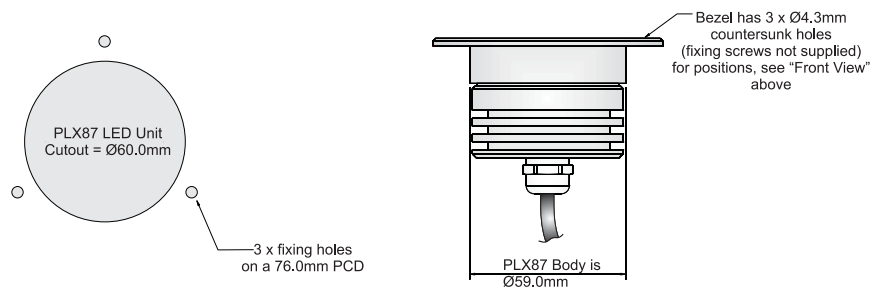


*\* Rear depth = 90mm (typ.) including cable bend radius.*

Lens = 8mm Toughened Glass  
Environmental Protection to IP68

## Mounting Details

### 1) Without Mounting Sleeve



## Wiring Information

### Core Colours Table:

LED	Core Colour FEED +ve	Core Colour RETURN -ve
Red	Brown	Red
Green	Grey	Green
Blue	Pink	Blue
Cool White	Yellow	White

All luminaires are fitted with an 8-core, 1 metre cable.

For more information see Drg. No. **25423** Wiring Note

**Wiring Note**

This LED unit is fitted with cable type "W802"

Insulation Type: NATUR TPE-material      Number Of Cores: 8      Ref: 25423

Sheath Colour: Black      CSA: 8 x 0.25mm<sup>2</sup>

Core Identification: Yellow, Red, Green, Blue, Pink, Grey, Brown, White      Max Outer Diameter: 6.2mm

LED	Core Colour FEED +ve	Core Colour RETURN -ve
Red	Brown	Red
Green	Grey	Green
Blue	Pink	Blue
Cool White	Yellow	White

*All connections to be wired in SERIES*

*These LED lights operate from a Low Voltage source and must not be connected to a Mains Voltage supply.*

**Ref: W802**

Black TPE outer sheath, Ø6.2mm O.D.

8 x Cores, each core is 0.25mm<sup>2</sup> CSA

© 2014 njo Technology Ltd. All rights reserved. njoleds.co.uk  
njo Technology Ltd. is a registered company in the United Kingdom. Registered Office: njo Technology Ltd, 1-4 Fell View Trading Park, Shap Road, Kendal, Cumbria, LA9 6NZ. Tel: 01539 730093. Fax: 01539 731084. Email: sales@njoleds.co.uk

The appearance and specifications of the product may be modified for improvement without notice. All dimensions in mm.