

# PFX44 (5.0W max)

Ø44mm Compact LED  
Fountain Light

Constant Current Version



- High power compact spotlight
- Ideal for highlighting fountain jets (IP68)
- Choice of LEDs/colour change
- On-board current regulation
- Low voltage, high efficiency
- Robust corrosion-resistant construction
- 316 Stainless Steel or Anodised Aluminium

## Description

Compact LED fountain spotlight constructed from a 2-part precision-machined Stainless Steel Grade 316 (or anodised aluminium) housing and bracket. Fitted with 3 Osram “Oscon SSL” LEDs, integral optic and a toughened clear glass lens. Each LED unit is pre-wired with a 1 metre tail (other lengths available). These luminaires are *wired in series*.

Must be connected to a suitable constant current (500mA max.) LED power supply.

## Characteristics

### Optical

**Number of LEDs** = 3 High Power LEDs  
(Osram Oscon SSL LEDs)  
**Illuminated Area** = Ø25mm  
**Optic** = Fitted with Ledil “Satu” optic  
**LED Data:**

Colour	CCT/nm	Output(lm)
Cool White	6,500K	610
Mid White	4,000K	565
Warm White	3,000K	520
Red	622nm	220

*Note: Lumen output figure accounts for a 91% optic efficiency.*

### Electrical details

**Typical Voltage** = 7 - 10VDC  
**Operating Current** = 500mA max.  
*(N.B. must be connected to a constant current LED driver.)*  
**Power Consumption** = 5.0W max.  
*Above data is for P795 & P796 PCBs*  
**Termination** = 2-core rubberised cable, 0.75mm<sup>2</sup> CSA, 5.5mm O.D. (ref: W217)  
**Luminaire Classification** = Class III  
(In accordance with BS EN 60598-1:2008)

### Mechanical

**Body O.D.** = Ø44mm  
**Body Length** = 57mm  
**Lens** = 4mm Toughened Glass  
**IP Rating** = IP68  
**Product Weight** = 0.5kg

## Selection Guide

PFX44-	SS-	W30-	MA-	C-	500-	3M
Product Series	Housing	Colour	Optic Type	Lens Type	Current	Cable Length
PFX = LED Fountain Light 44 = Front Bezel Diameter (mm)	SS = Stainless Steel Grade 316 BA = Black Anodised Aluminium	W65 = Cool White (6500K) W40 = Mid White (4000K) W30 = Warm White (3000K) R = Red  <i>(Colour change versions available - please ask)</i>	NA= Narrow Angle MA = Medium Angle WA = Wide Angle EL = Elliptical	C = Clear	500 = Drive Current (500mA max.)	2M = 2 metre cable 3M = 3 metre cable 10M = 10 metre cable  <i>(if a 1 metre cable is fitted, no code needs adding)</i>

**Example PFX44-SS-W30-MA-C-500-3M** (PFX44, Stainless Steel Housing, Warm White LEDs, Medium Angle Output, Clear Lens, 500mA, 3 Metre Cable)

# PFX44 (5.0W max)

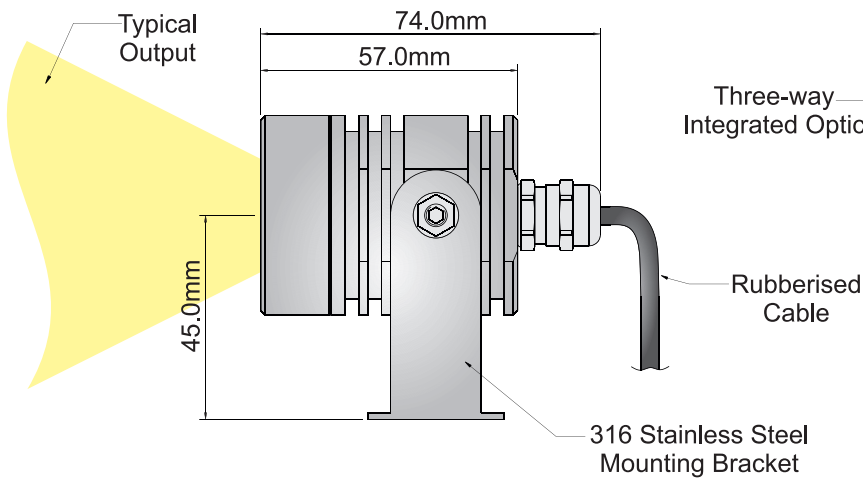
Ø44mm Compact LED  
Fountain Light

Constant Current Version

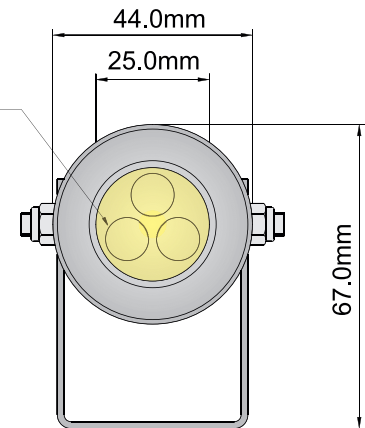


## Mechanical Details

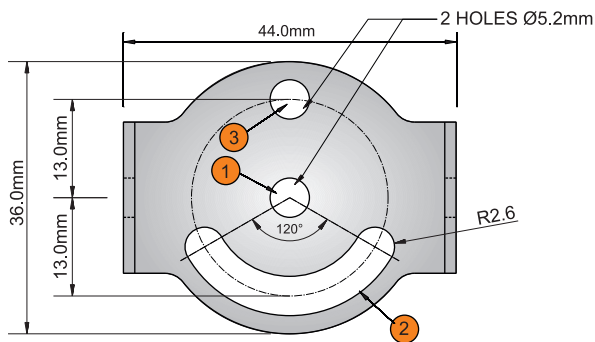
### PFX44 Side View



### PFX44 Front View



## Mounting Details



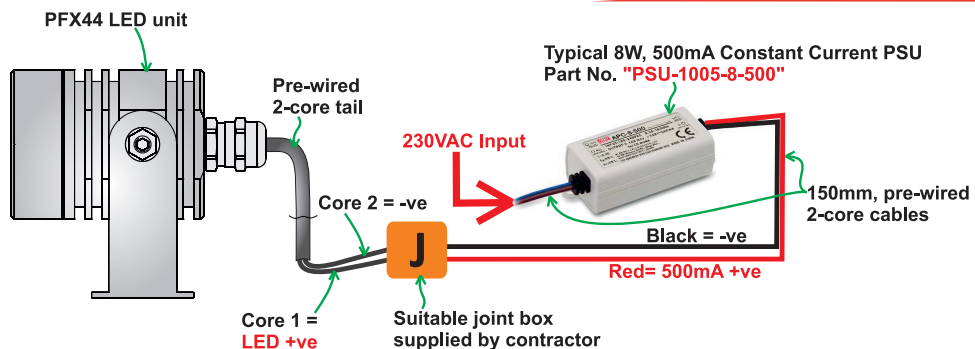
1) Fasten bracket to your desired mounting surface with 1 screw through hole 1 on the bracket - do not fully tighten yet.

2) Fix a screw through the centre of slot 2 - do not fully tighten yet.

This will now allow rotational adjustment if required. Once the bracket is in the desired position, the fixings can be tightened.

If additional strength is required screws can be fixed through the remaining position (hole 3).

## Typical Wiring



The appearance and specifications of the product may be modified for improvement without notice. All dimensions in mm.