

LDX Series (32W/m)

High Power RGB
LED Luminaire, IP-rated
24VDC, 42 LEDs/metre



- Ideal for uplighting & wall washing
- Wide range of ultrabright colours
- Parallel wiring for ease of installation
- Low running costs, long life, low maintenance
- Custom lengths to suit the scheme
- IP40 Rating for internal use

Description

High performance linear LED luminaire constructed from a powder coated aluminium extrusion fitted with high power Osram "Oslon SSL" LEDs (42 LEDs per metre) with Ledil secondary output optics and a polycarbonate filter. Each LED unit features on-board "linear" current regulation allowing straightforward *parallel wiring*. Each LED unit is also pre-wired with a 2 metre, 4-core tail (other cable lengths available). Cable exit via an IP-rated cable gland in the endplate. Standard fitting lengths available from 495mm up to 1755mm in 420mm increments. The LED units are powered by a Control Box, configured to suit the scheme, and controlled by a DMX512 controller (*please contact us to discuss Control Gear options*).

Characteristics

Optical

Number of LEDs = 42 per metre
(Osram Oslon SSL)

Optics = Fitted with Ledil "Heidi" optics

LED Data:-

Colour	Wavelength	lm/metre
Red	630nm	410
Green	525nm	680
Blue	470nm	235

Note: Lumen output shown has been adjusted to account for 85% optic efficiency.

Electrical

Operating Voltage Range = 23.0-25.0VDC
(24VDC typ.)

Typical Current = 1.31A max. per metre

Power Consumption = 32W max. per metre
(This data is for "P786" PCB, Group Colour)

Termination = 2 metre, 4-core cable,
0.5mm² CSA, 6.3mm O.D. (njo ref. W409)

Luminaire Classification = Class III
(In accordance with BS EN 60598-1:2008)

Mechanical

Housing = powder-coated aluminium

Filter = polycarbonate

End Plates = injection moulded polycarbonate

Mounting Brackets = stainless steel, powder-coated

IP Rating = IP65

Product Weight = 1.5kg per metre

Selection Guide

LDX1755-	PW-	RGB-	26-	C-	24-	2M
Product Series	Housing	LED Colour	Output Angle	Filter Type	Voltage	Cable Length
LDX = High power linear LED unit	PW = Powder Coated White (RAL9010)	RGB = Colour Change (Red, Green & Blue)	9 = Narrow 9° 26 = Medium 26° 40 = Wide 40° EL = Elliptical 50° x 8°	C = Clear D = Diffused	24 = 24 VDC	1M = 1 Metre Cable 2M = 2 Metre Cable 5M = 5 Metre Cable
1755 = LED unit length in mm	PS = Powder Coated Silver (RAL9006) CP = Custom Colour Powder Coated					

Example **LDX1755-PW-RGB-26-C-24-2M** (LDX1755mm, Powder-Coated White, Colour Change, 26° Output Angle, Clear Filter, 24VDC, 2 Metre Cable)

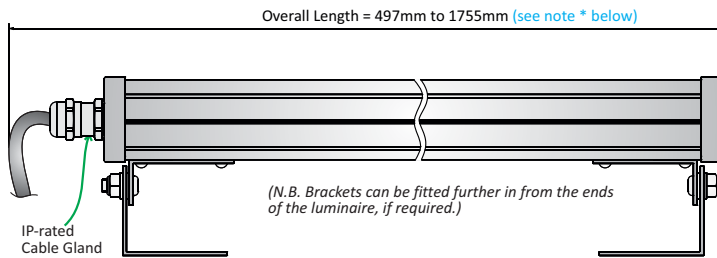
LDX Series (32W/m)

High Power RGB
LED Luminaire, IP-rated
24VDC, 42 LEDs/metre



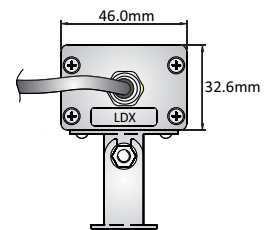
Mechanical Details

Side View

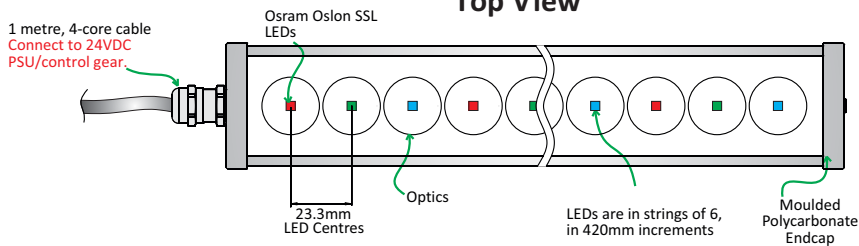


* Overall length is "endplate-to-endplate", together with a small allowance for a cable bend radius.

End View



Top View

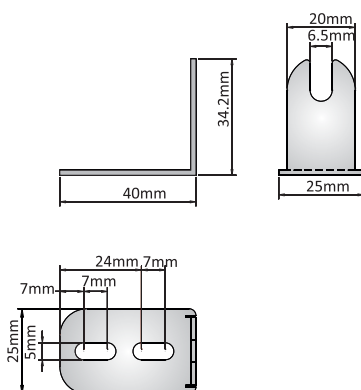


Part Number	Overall length	Number of LEDs	Max Current	Wattage
LDX 495		18	0.56A	14W
LDX 915		36	1.11A	27W
LDX 1335		54	1.67A	40W
LDX 1755		72	2.20A	53W

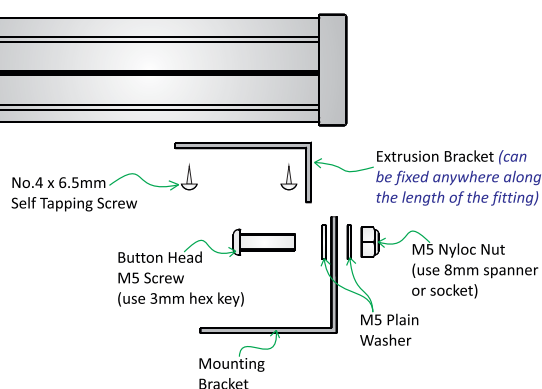
Other lengths available.

Mounting Details

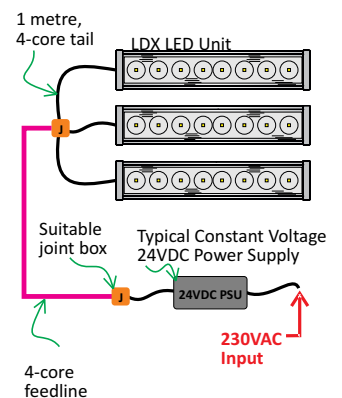
i, Mounting Bracket



ii, Mounting Hardware



iii, Typical Wiring



The appearance and specifications of the product may be modified for improvement without notice.