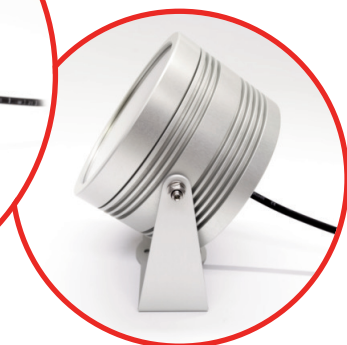


FXM140 (18W max.)

Ø140mm LED Floodlight

Project: St. Petrocks Church



- Ideal for highlighting architectural details
- Wide range of ultrabright LED colours available
- Robust, corrosion-resistant construction
- High output, low profile
- Low power, high efficiency
- Long life - 50,000hrs typical
- High reliability, low maintenance

Description

High power, adjustable LED spot/floodlight, ideal for feature lighting. Constructed from precision machined aluminium with a satin silver anodised finish (other colours are available). Fitted with 12 x Osram "Oslon SSL" high power LEDs with a choice of Ledil secondary optics and fitted a clear toughened glass lens. Terminated with 1 metre flying lead (other lengths available) via an IP-rated cable gland. **Connect to a 1050mA constant current power supply or control gear.**

Characteristics

Optical

Number of LEDs = 12 x high power LEDs

Output Area = Ø120.0mm

Optics = Fitted with Ledil optics

LED Data:

Colour	CCT	Output	CRI(typ.)
Warm White	3000K	1800lm	85
Mid White	4000K	2000lm	85
Cool White	6300K	2100m	75

Note: Lumen output shown accounts for 90% optic efficiency.

Electrical

Typical Voltage = 17.3VDC Typ.

N.B. Must be connected to a 1050mA constant current LED driver.

Current = 500mA (0.5A)

Power Consumption = 18W max.

Above data is for P812.PCB

Termination = 1 metre, 2-core cable, 1.5mm² CSA, 6.5mm O.D. (ref. W220)

Luminaire Classification = Class III

(In accordance with BS EN 60598-1:2008)

Mechanical

Housing = Aluminium

Housing O.D. = Ø139mm typ.

Housing Depth = 90.0mm typ.

Lens = 6.0mm toughened glass

Lens Diameter = Ø120.0mm

Mounting Bracket = Aluminium

IP Rating = IP65

Product Weight = 1.95kg

Selection Guide

FXM140-	SA-	WW-	MA-	C-	1050-	2M
Product Series	Housing	LED Colour	Output Angle	Lens	Drive	Cable Length
FXM = LED Flood Light, 140mm Diameter	SA = Satin Anodised Finish	WW = Warm White MW = Mid White CW = Cool White	NA = Narrow 7° MA = Medium 26° WA = Wide 40°	C = Clear	1050 = 1050mA	2M = 2 Metre Cable 5M = 5 Metre Cable <i>(if a 1 metre is fitted, no code needs to be added)</i>

Example FXM140-SA-WW-MA-C-1050 (FXM140, Satin Silver Anodised, Warm White LEDs, Medium Output Angle, Clear Lens, 1050mA, 1 Metre Cable)

FXM140 (18W max.)

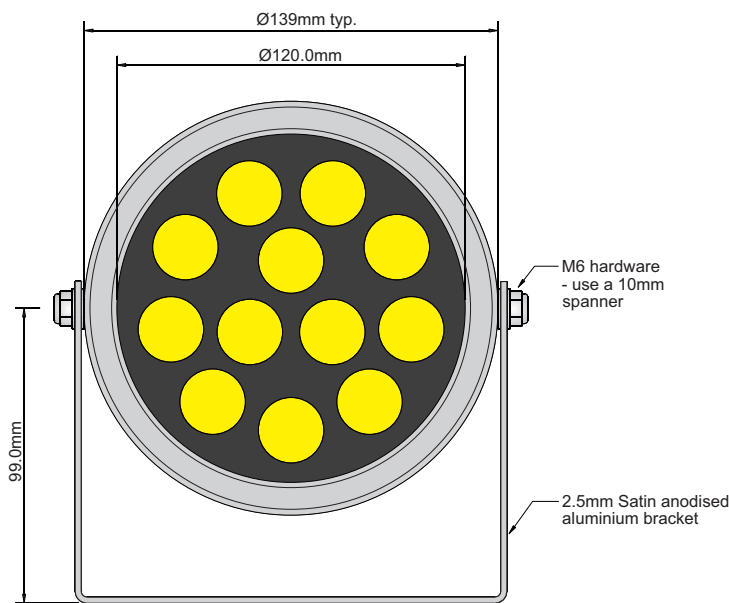
Ø140mm LED Floodlight

Project: St. Petrocks Church

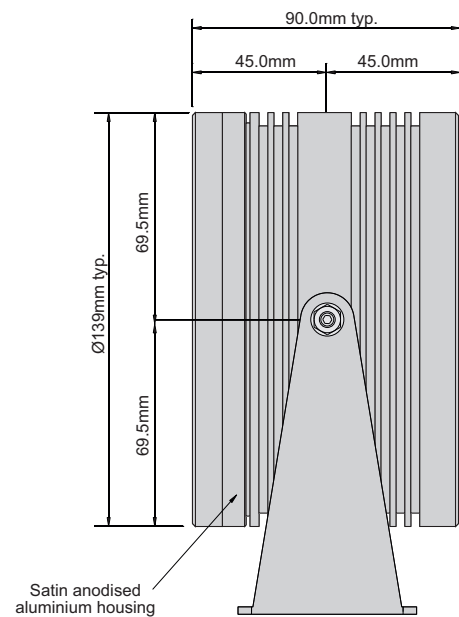


Mechanical Details

Front View

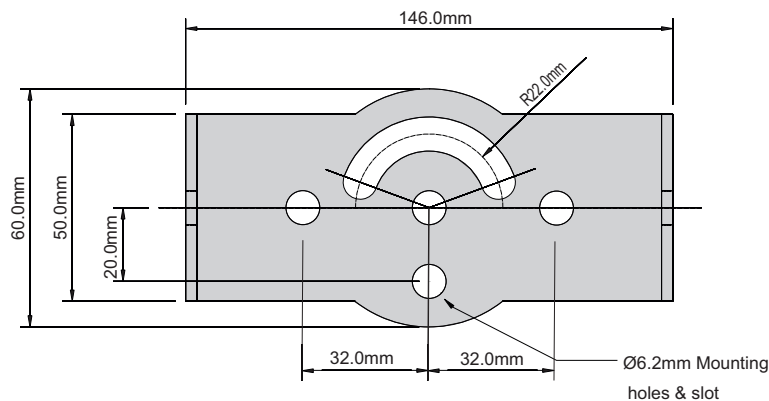


Side View



Mounting Bracket Detail

Plan View of FXM140 Mounting Bracket



The appearance and specifications of the product may be modified for improvement without notice.