

FCR65 (12W max.)

Ø65mm Compact 4-Colour LED Spotlight, with P928 PCB
Project: Grand Connaught Rooms



- Ideal for highlighting architectural details
- Wide range of ultrabright LED colours available
- Robust, corrosion-resistant construction
- High output, low profile
- Low power, high efficiency
- Long life - 50,000hrs typical
- High reliability, low maintenance

Description

Ø65mm compact LED spotlight, made from a powder-coated White aluminium housing and a diffused glass lens. Fitted with 8 x Osram “Duris P5” LEDs with a narrow angle secondary output optics. Terminated with a 1 metre, 5-core flying lead. Each luminaire contains on-board “Linear” current regulation allowing multiple units to be wired in *parallel*. The LED units are powered by a Control Box, configured to suit the scheme, and controlled by a DMX512 controller. **Connect to a 12VDC constant voltage PSU or control gear.**

Characteristics

Optical

Number of LEDs = 8 x high power LEDs (Osram “Duris P5”)

Optic = Ledil “Lisa2” type

LED Data:

Colour	CCT/nm	lm	CRI
Red	625nm	65	-
Green	525nm	105	-
Blue	470nm	30	-
Mid White	4000K	140	83

Note: Lumen output accounts for a 92% optic efficiency.

Electrical

Operating Voltage = 11.5 - 13.5VDC (12VDC typ.)

Current = 0.98A (245mA/colour)

Power = 12.0 Watts max.

Above data is for P928 PCB

Termination = 1 metre, 5-core grey PUR cable, 0.34mm² CSA, 4.9mm O.D. (ref: W503)

Luminaire Classification = Class III

(In accordance with BS EN 60598-1:2008)

Mechanical

Body O.D. = Ø65.0mm

Body Length = 65.0mm

Lens = 6.0mm toughened glass

Lens Diameter = Ø60.0mm

Mounting Bracket = Powder-coated White 1.5mm Stainless Steel

IP Rating = IP54

Product Weight = 0.38kg

Selection Guide

FCR65-	PW-	RGBW-	NA-	D-	12
Product Series	Housing	LED Colour	Output Angle	Lens Type	Voltage
FCR65 = Ø65mm Compact LED Spotlight	PW = Powder-coated White (RAL9010)	RGBW = Colour change (Red, Green, Blue & Mid White) (Other CCTs/colour options available)	NA = Narrow 16° (Other optic angles are available)	D = Diffused	12 = 12VDC

Example FCR65-PW-RGBW-NA-D-12 (FCR65, Powder-coated White, Colour Change (RGBW LEDs), Narrow Output Angle, Diffused Glass Lens, 12VDC)

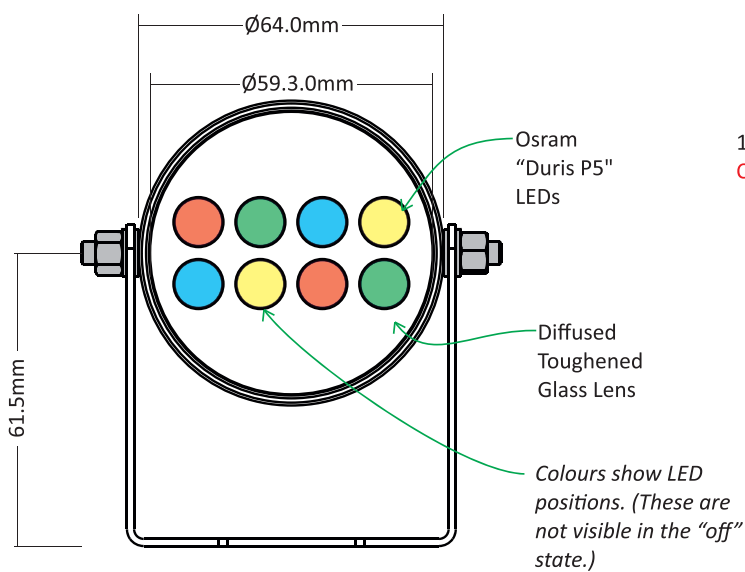
FCR65 (12W max.)

Ø65mm Compact 4-Colour LED
Spotlight, with P928 PCB
*Project: Grand Connaught
Rooms*

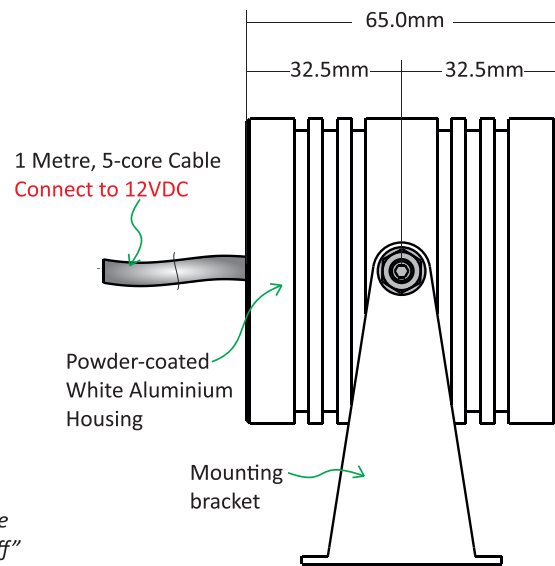


Mechanical Details

Front View

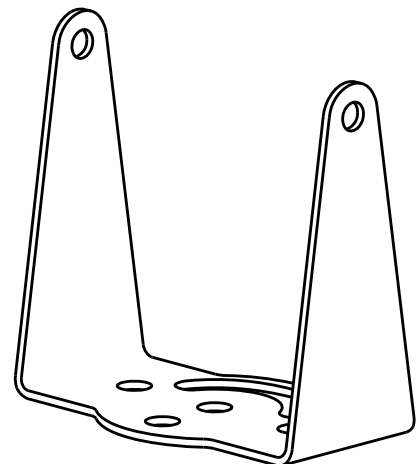
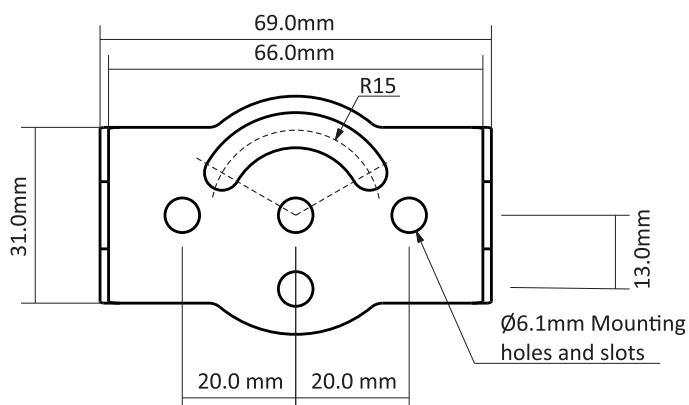


Side View



Mounting Details

This drawing shows the footprint of the bracket



The appearance and specifications of the product may be modified for improvement without notice.