

## CLX86 (5.6W max.)

IP65 LED Downlight,  
86mm Bezel Diameter  
Constant Voltage



- Ideal for bathroom lighting
- Wide range of ultrabright LED colours
- IP65
- Cool to touch
- Low voltage, high efficiency
- Long life - 50,000hrs typical
- High reliability, low maintenance

## Description

Ø86mm compact LED downlight, made from a diecast aluminium housing with a choice of finishes - satin silver, chrome or white. Fitted with 3 x high power Osram "Osram SSL" LEDs and a choice of Ledil "TINA" secondary optics - narrow (10°), medium (30°), wide (50°) or elliptical (32° x 14°). Terminated with a 1 metre flying lead. The luminaire is fitted with silicone gaskets to prevent moisture from entering the ceiling void and to provide (IP65) ingress protection. Fitted with spring clips for easy mounting. *Connect to constant voltage control gear.*

## Characteristics

### Optical

**Number of LEDs** = 3 x high power LEDs  
(Osram Osram SSL)

**Illuminated Area** = Ø39.0mm

**Optic** = Fitted with Ledil "TINA"

#### LED Data:

Colour	CCT/nm	lm	CRI(typ.)
Cool White	6000K	370	75
Mid White	4000K	295	83
Warm White	3000K	275	83
Red	625nm	25	-
Green	525nm	55	-
Blue	470nm	15	-

*Note: Lumen output shown accounts for 85% optic efficiency.*

### Electrical

#### 1) Single Colour:

**Typical Voltage** = 12.0VDC

**Operating Current** = 420mA (0.42A)

**Power Consumption** = 5W max.

**Termination** = 1 metre, 2-core grey PVC cable  
0.34mm<sup>2</sup> CSA, O.D. 4.1mm (ref: W215)

#### 2) Colour Change:

**Typical Voltage** = 7VDC

**Typical Current** = 800mA (0.80A)

**Power Consumption** = 5.6W max.

Above data is for P896 PCB

**Termination** = 1 metre, 4-core black PVC cable  
0.22mm<sup>2</sup> CSA, O.D. 3.8mm (ref: W401)

### Mechanical

**Bezel O.D.** = Ø86.0mm

**Body O.D.** = Ø64.5mm

**Rear Depth** = 67.0mm (*see drawing and note \* on Page 2*)

**Mounting Hole** = Ø72.0mm

**IP Rating** = IP65

**Product Weight** = 0.27kg

**Luminaire Classification** = Class III

(In accordance with BS EN 60598-1:2008)

## Selection Guide

CLX86-	PW-	GC-	WA-	C-	7-	1M	
Product Series	Housing	LED Colour	Output Angle	Lens Type	Voltage	Cable Length	
CLX = Ceiling Downlight with a 86mm bezel	SS = Satin Silver PC = Polished Chrome PW = White	R = Red A = Amber G = Green T = Turquoise B = Blue	CW = Cool White MW = Mid White WW = Warm White GC = Group Colour (RGB colour change)	NA = Narrow 10° MA = Medium 30° WA = Wide 50° EL = Elliptical 32°x14°	C = Clear	7 = Colour Change (7VDC) 12 = Single Colour (12VDC)	1M = 1 metre cable 3M = 3 metre cable 5M = 5 metre cable

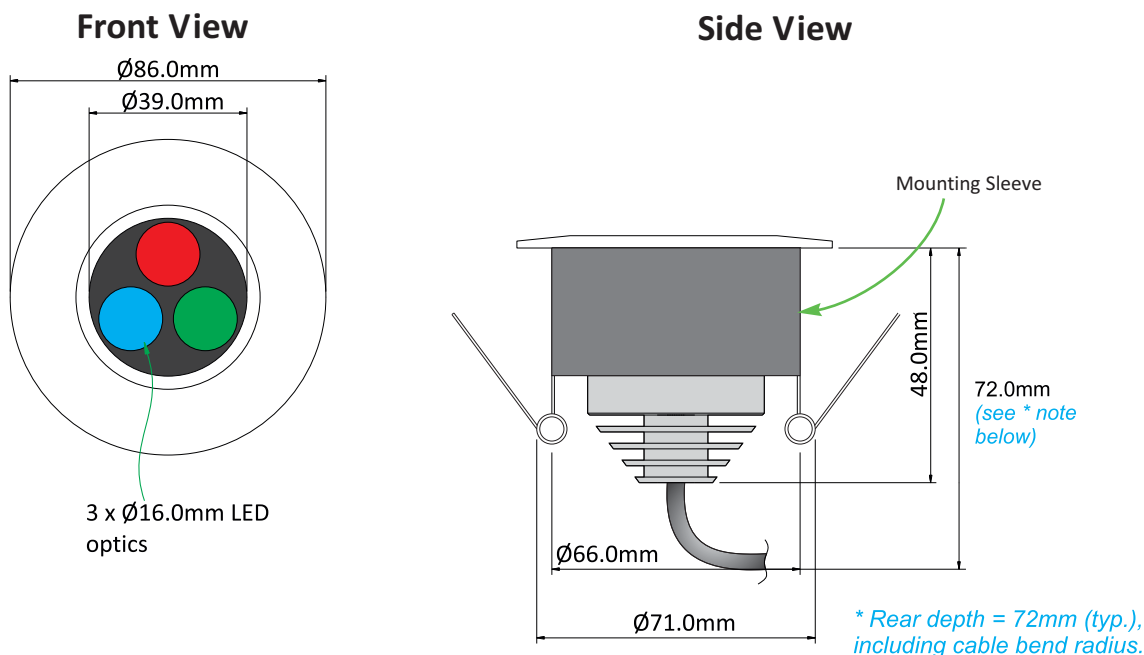
**Example CLX86-PW-GC-WA-C-7-1M** (CLX86, White Finish, Group Colour (RGB Colour Change), Wide Output (50°) Angle, Clear Glass Lens, 7VDC, 1 Metre Cable)

# CLX86 (5.6W max.)

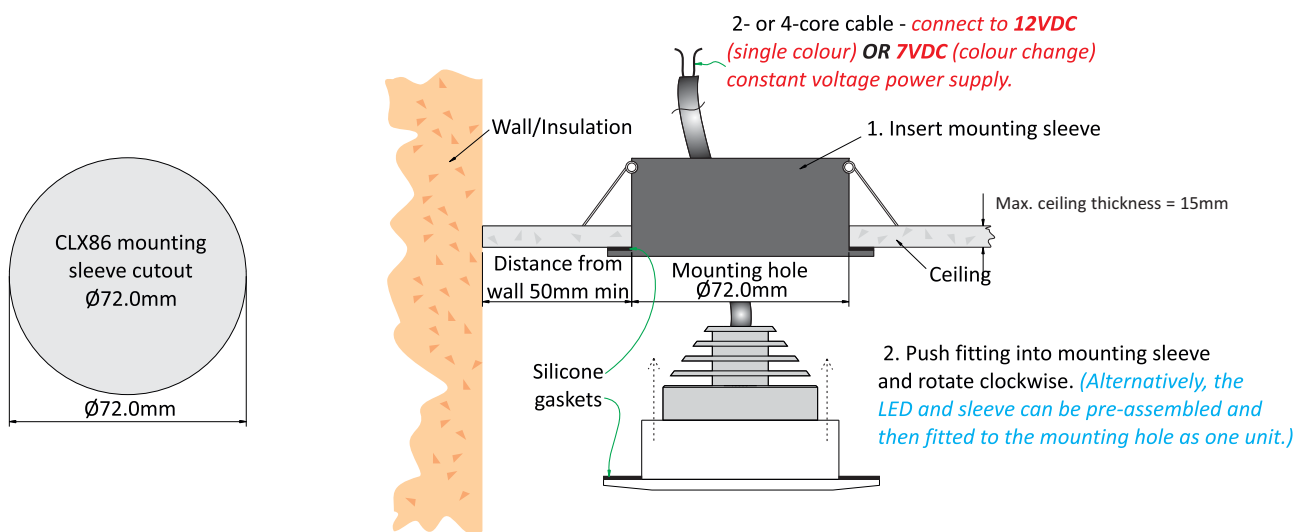
IP65 LED Downlight,  
86mm Bezel Diameter  
Constant Voltage



## Mechanical Details



## Mounting Details



The appearance and specifications of the product may be modified for improvement without notice.