

CLX65A (2.2W)

Ø65mm Adjustable LED Downlight.



- Ideal for display lighting
- Adjustable angle
- Wide range of ultrabright LED colours
- Cool to touch
- Low voltage, high efficiency
- Long life - 30,000hrs typical



Description

Ø65mm LED downlight, made from an aluminium housing with a choice of finishes - chrome, satin silver, black or white. Fitted with a high power Osram "Oslon SSL" LED and choice of Ledil secondary optics - narrow (10°) or medium (30°). Terminated with a 1 metre flying lead. The luminaire is fitted with spring clips for easy installation, and the centre of the fitting swivels to allow the output to be directed towards the target illumination surface. **Must be connected to a constant current power supply unit.**

Characteristics

Optical

Number of LEDs = 1 x high power LED
Illuminated Area = Ø26.0mm
Optics = Fitted with Ledil "Emily" optics

White LED Data:

Colour	CCT	lm	CRI(typ.)
Cool White	6000K	190	70
Mid White	4000K	170	75
Warm White	3000K	150	80
W27	2700K	150	96

Electrical

1) Single Colour:
Typical Voltage = 3.0VDC
Operating Current = 700mA (0.7A)
Power Consumption = 2.2W max.
Above data for P793 PCB

2) Colour Change:
Typical Voltage = 3.5VDC
Typical Current = 350mA (max.) per colour
Power Consumption = 2W max.
Termination = 1 metre cable
Luminaire Classification = Class III
(In accordance with BS EN 60598-1:2008)

Mechanical

Bezel O.D. = Ø65.0mm
Body O.D. = Ø57.0mm
Rear Depth = Ø60.0mm (*see drawing and * note on Page 2*)
Mounting Hole = Ø58.0mm
IP Rating = IP40
Product Weight = 0.2kg

Selection Guide

CLX65A-	PW-	W27-	10-	700
Product series	Housing	LED Colour	Optic Angle	Current
CLX = Ceiling Downlight with a Ø65mm bezel.	SS = Satin Silver PC = Bright Chrome PW = White PB = Black	R = Red A = Amber G = Green T = Turquoise B = Blue CM = Colour Mix (RGB colour change) CW = Cool White MW = Mid White WW = Warm White W27 = Warm White (2700K)	10 = Narrow 10° 30 = Medium 30°	700 = 700mA (Single Colour) 350 = 350mA (Colour Mix)

EXAMPLE CLX65A-PW-W27-10-700 (CLX65A, White Housing, Warm White (2700K) LED, 10° Output Angle, 700mA)

CLX65A (2.2W)

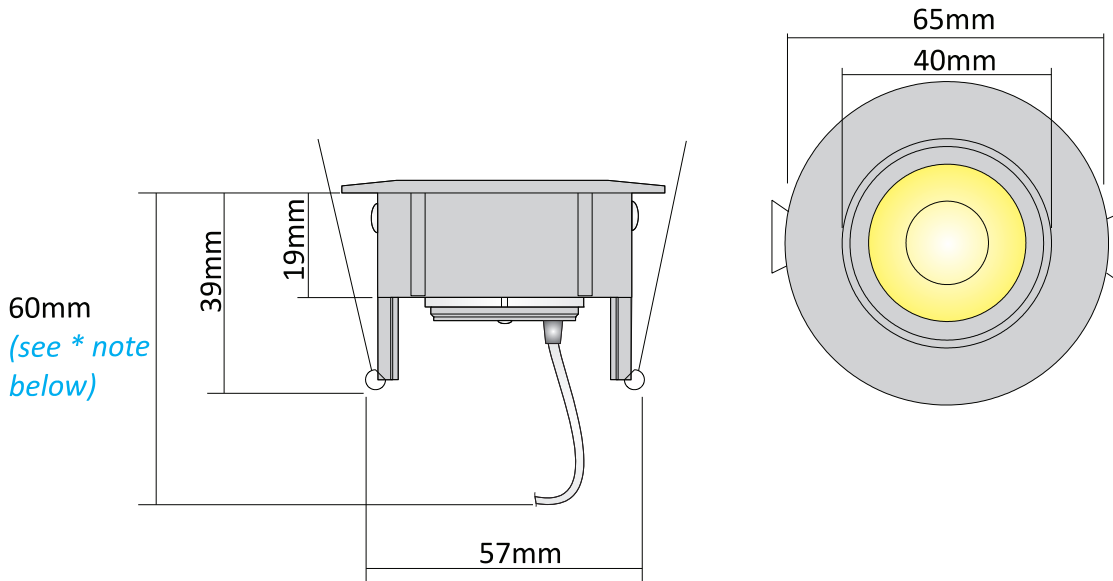
Ø65mm Adjustable LED Downlight.



Mechanical Details

Side View

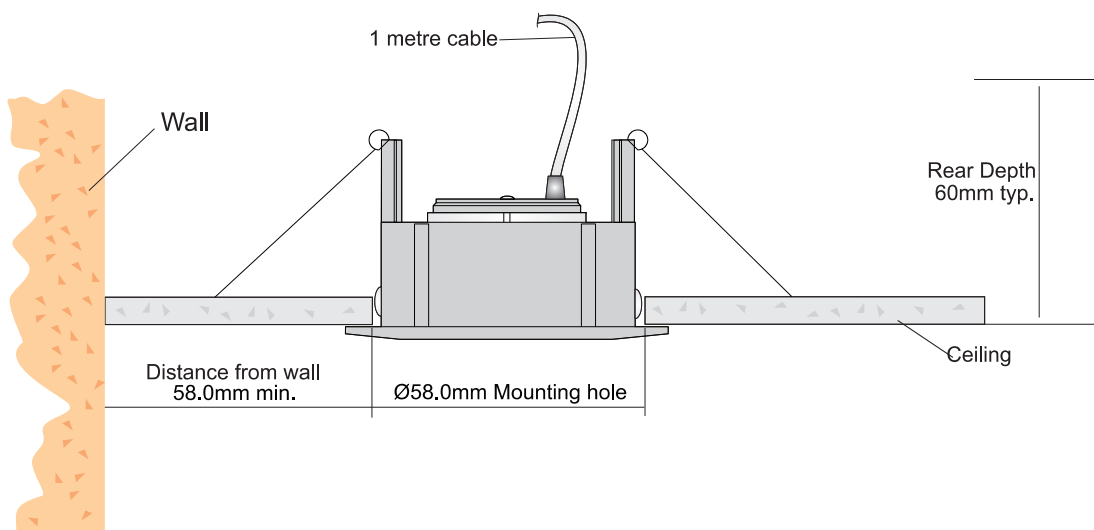
Front View



* Rear depth = 60mm (typ.) including cable bend radius.

Bezel O/D Ø65.0mm Body O/D Ø57.0mm Rear Depth 60mm
Environmental Protection to IP40

Mounting Details



The appearance and specifications of the product may be modified for improvement without notice.