

CLA162 (19Watts)

Ø150mm Adjustable LED Downlight, 3 or 4-Colour (Fits Ø133mm cutout)

- High output, low profile
- Low power, high efficiency
- Low Glare
- Long life - 50,000hrs typical
- High reliability, maintenance free
- Wide range of ultra bright LED colours
- Adjustable angle



Description

High performance adjustable downlight, constructed from powder-coated die cast aluminium housing with reflector. Depending on the wiring / control format, these LED lights are terminated with a 1 metre, 5, 6 or 8-core, flying lead (other lengths available). Fitted with a 3 or 4-colour LED COB cluster. Easy-to-mount spring clip fastening. Must be connected to a 350mA (RGB) or 500mA max. (RGBW) constant current driver and DMX512 interface.

Characteristics

Optical & Electrical

	3-Colour Cluster - RGB			4-Colour Cluster - RGBW			
	Red	Green	Blue	Red	Green	Blue	White
No. of LED chips	7	6	6	4	3	3	3
nm/CCT	620-630nm	518-528nm	459-468nm	620-630nm	518-528nm	459-468nm	7500K
Typical Voltage	15.4VDC	19.2VDC	19.2VDC	9.2VDC	9.9VDC	10.0VDC	9.5VDC
Max. Running Current	350mA max. per colour			500mA max. per colour			
Power	5.4W	6.7W	6.7W	4.6W	5.0W	5.0W	4.8W
Output	230lm	350lm	105lm	155lm	285lm	105lm	355lm
Total Power	18.9W max.			19.4W max.			

Mechanical

Body Depth = 182.0mm
 Bezel Outer Diameter = Ø150.0mm
 Ceiling Cutout = Ø133.0mm
 IP Rating = IP20
 Weight = 0.62kg
 Ambient Operating Temp. = -15 to +35°C
 Adjustment Angle = 0° to 30°
 Termination = 1 metre, 5, 6 or 8-core black PVC cable, 0.22mm² CSA, 5.5mm O.D. (ref: W503, W600 or W800)
 Luminaire Classification = Class III (In accordance with BS EN 60598-1:2008)

(Must be connected to a 3-channel 350mA (RGB) or 4-channel 500mA (RGBW) constant current LED driver.)

Selection Guide

CLA162-	PW-	RGBW-	MA-	500-	1M
Product Series	Housing	LED Colour	Output Angle	Current	Cable Length
CLA = High Powered Downlight	PW= Powder Coated White (e.g. RAL9010)	RGB = Red, Green & Blue RGBW = Red, Green, Blue & White	MA= 36° Output	350 = 350mA (for RGB) 500 = 500mA (for RGBW)	1M = 1 Metre Cable 5M = 5 Metre Cable

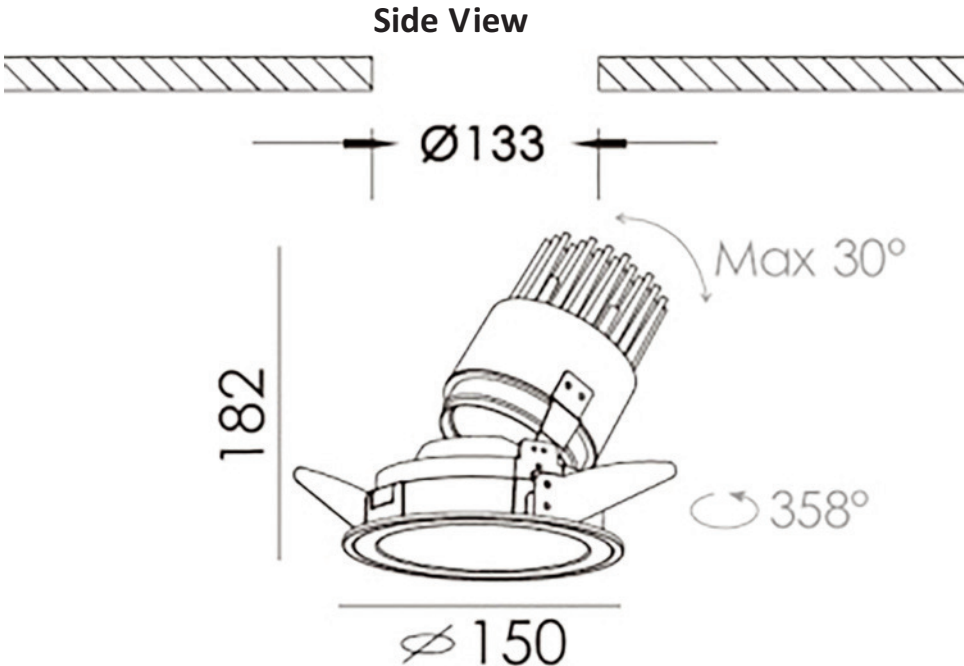
Example **CLA162-PW-RGBW-MA-500-1M** (CLA162, Powder Coated White, 4-Colour (RGBW), Medium Output Angle, 500mA, 1 Metre Cable)



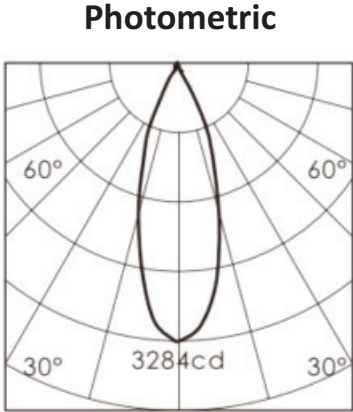
CLA162 (19Watts)

Ø150mm Adjustable LED Downlight, 3 or 4-Colour (Fits Ø133mm cutout)

Mechanical & Photometric Details



Ceiling/Panel cutout is Ø133mm



Medium angle 36 degree optic (MA) shown here.

Other optic angles are available.

Typical Wiring Detail

CLA162 3-Colour Version Wiring Shown here:



DMX512 Decoder (350mA or 500mA) This is a 4-channel unit, but 3 channels only can be used for the RGB version of the CLA162.

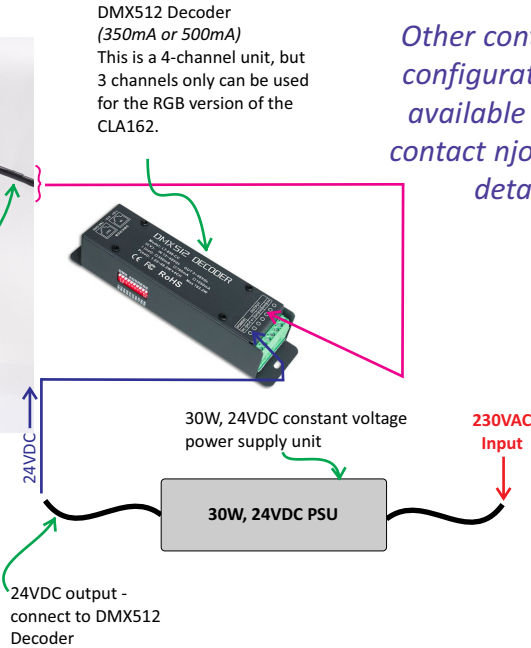
Other control gear configurations are available - please contact njo Sales for details.

RGBW LED Cable Core Identification:

LED Colour	+ve	-ve
Red	Yellow	Red
Green	White	Green
Blue	Black	Blue
White	Purple	Brown

RGB LED Cable Core Identification:

LED Colour	+ve	-ve
Red	Yellow	Red
Green	White	Green
Blue	Black	Blue



The appearance and specifications of the product may be modified for improvement without notice.