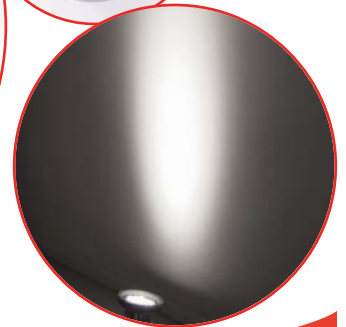


FLX200 (30W)

Ø215mm High Powered
LED Spotlight
Project: Fairmont Hotel
Ref: XFS7



- Ideal for highlighting architectural details
- Robust, corrosion-resistant construction
- High output, low profile
- Cool to touch
- Low power, high efficiency
- Long life - 50,000hrs typical
- High reliability, low maintenance



Description

High power, adjustable LED spotlight, ideal for architectural feature lighting. Constructed from precision machined aluminium and available in a range of attractive powder coated finishes, with slotted mounting bracket. Fitted with 24 x high power "Osram" LEDs. Each FLX200 is fitted with on-board "Linear" regulation, allowing multiple units to be wired in parallel to a 24VDC power supply. Available in a choice of illumination patterns (narrow, medium & wide outputs). Terminated with a 1 metre flying lead (other lengths available) via IP67 cable gland, maintaining mechanical integrity and offering ingress protection.

Characteristics

Optical

Number of LEDs = 24 x high power LEDs
Illuminated Area = Ø182.0mm
Beam Angle = 12°

LED Output:

Colour	CCT	Output	CRI
Warm White	3000K	2,680lm	84

Note: Lumen output shown has been adjusted to account for 90% optic efficiency.

Electrical

Operating Voltage Range = 23.0 -25.0VDC (24VDC typ)
Luminaire Current = 1.25A (1250mA)
Configured in 4 strings of 6 LEDs, each string running at approx. 320mA.
Power Consumption = 30W
Fitted with njo P892 PCB
Termination = 1 metre, 2-core cable, 1.0mm² CSA, 6.0mm O.D. (njo Ref: W224)
Luminaire Classification = Class III
(In accordance with BS EN 60598-1:2008)

Mechanical

Housing = Powder-coated Aluminium
Front Bezel = Powder-coated Aluminium
Bracket = Powder-coated Aluminium
Bezel O.D. = Ø215.0mm
Lens = 8mm clear glass
Lens Diameter = Ø182.0mm
IP Rating = IP67
Product Weight = 3.4kg

Selection Guide

FLX200-	SA-	WW-	NA-	C-	24-
Product Series	Housing	LED Colour	Output Angle	Lens Type	Voltage
FLX = Ø215mm LED Floodlight	SA = Silver Powder-Coated (RAL9006)	WW = Warm White	NA = Narrow (12°) (Other beam angles are available)	C = Clear	24 = 24VDC

Example **FLX200-SA-WW-NA-C-24** (FLX200, Silver Powder Coated, Warm White, 12° Narrow Output Angle, Clear Glass Lens, 24VDC)

FLX200 (30W)

Ø215mm High Powered LED Spotlight

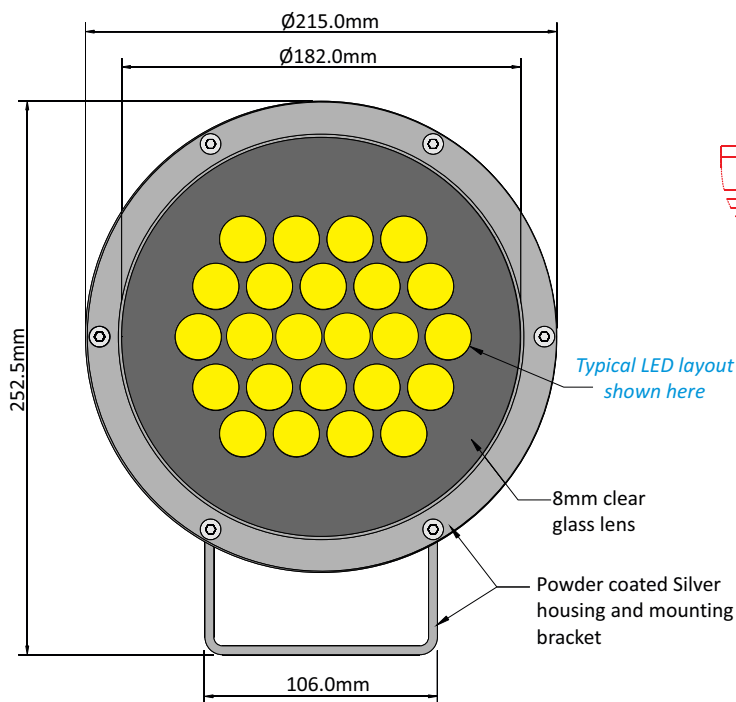
Project: Fairmont Hotel

Ref: XFS7

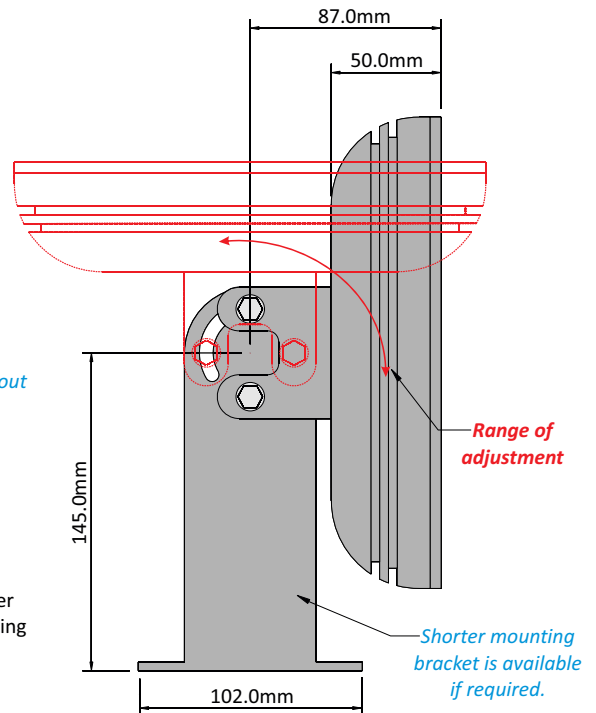


Mechanical Details

Front View

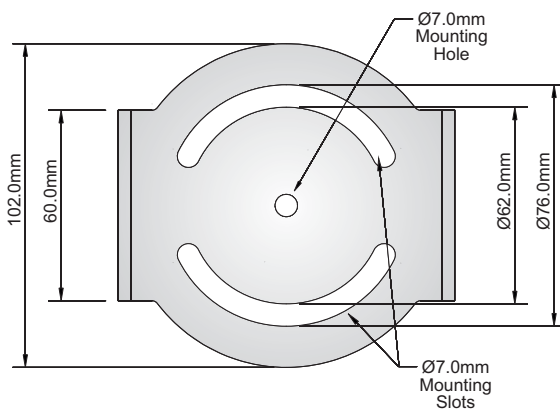


Side View

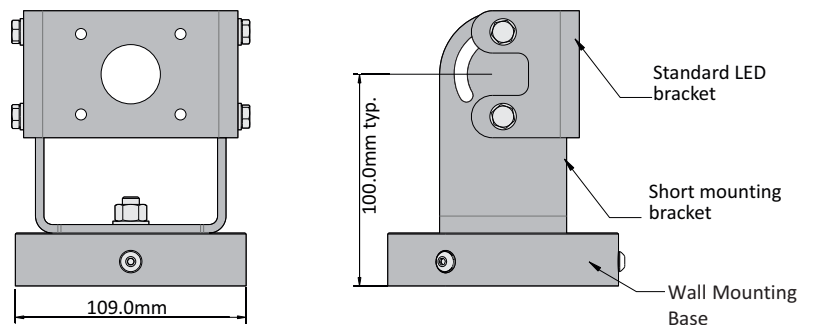


Mounting Details

FLX200 Mounting Bracket



Optional FLX200 Wall Mounting Base with Short Bracket



The appearance and specifications of the product may be modified for improvement without notice.